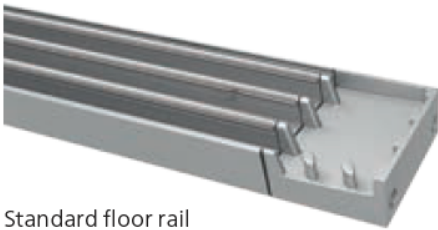


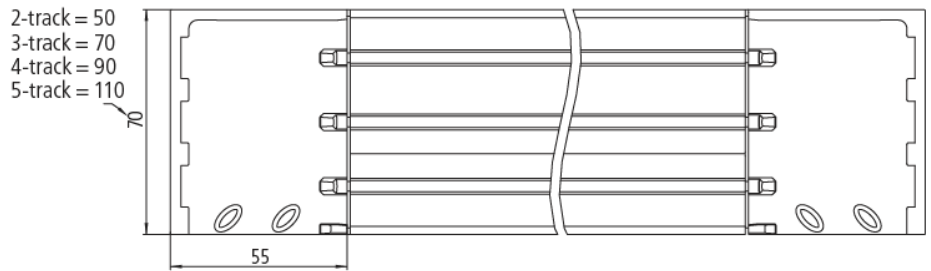
Grundlæggende er der 3 forskellige typer bundskinner:

- Standard med "cleancase" - så man nemt kan fjerne skidt og snavs fra skinnerne - denne type kan nedsænkes.
- Standard uden "cleancase" - denne type kan nedsænkes.
- Flat floor - denne type kan ikke nedsænkes, men leveres med skrå kantprofiler

Se montagedetaljer for de forskellige bundskinner på næste side.

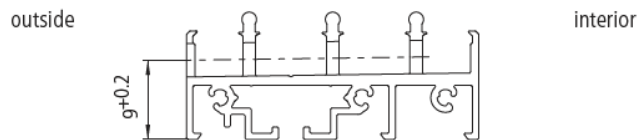


Standard floor rail with CleanCase®

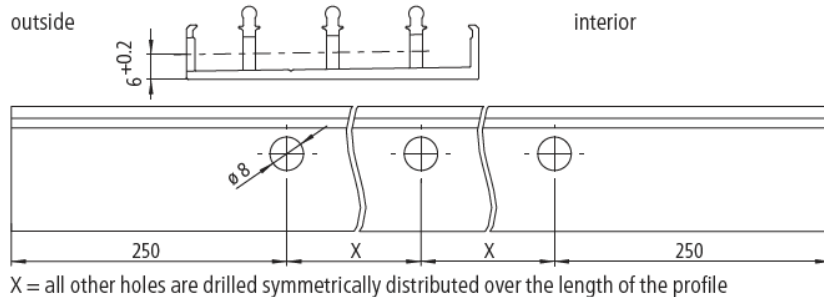


Floor rail without CleanCase®

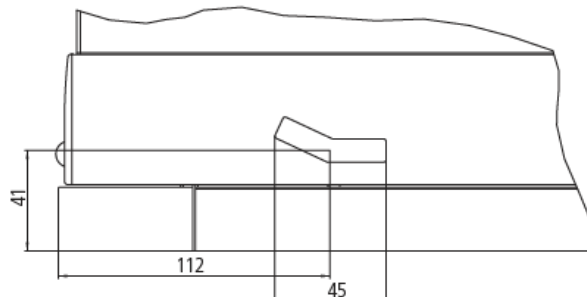
Water drainage holes for systems with no CleanCase®



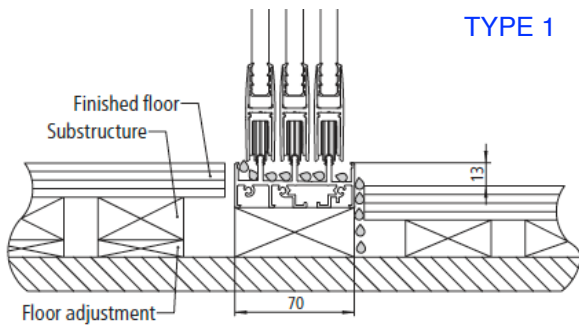
Flat floor rail



Standard locking

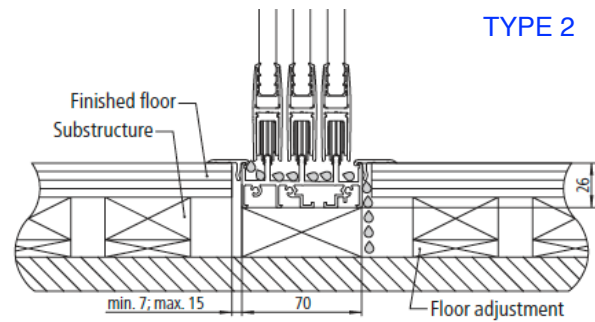


Detail of floor rail with leaf profile with locking lever



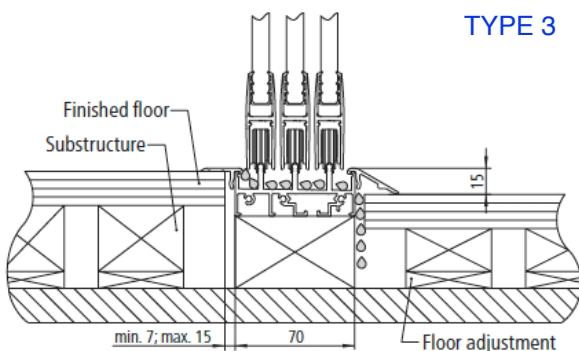
TYPE 1

Floor rail with CleanCase® trimmed in with no attachment profiles



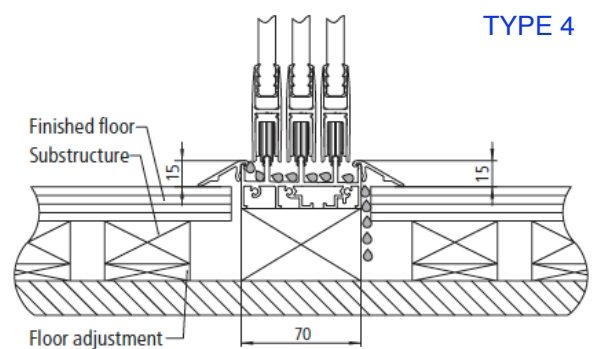
TYPE 2

Floor rail with no CleanCase® with drainage holes (optional) trimmed in with floor gap sealing profiles



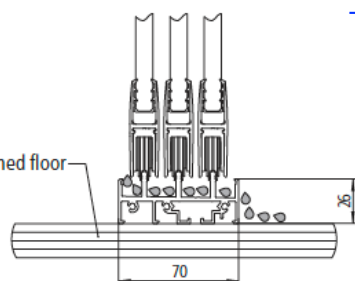
TYPE 3

Floor rail with CleanCase® partly trimmed in with floor gap sealing and threshold profile



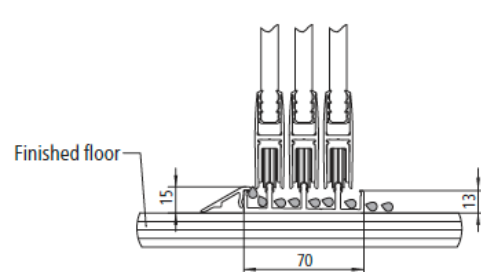
TYPE 4

Floor rail with CleanCase® partly trimmed in with threshold profile



TYPE 5

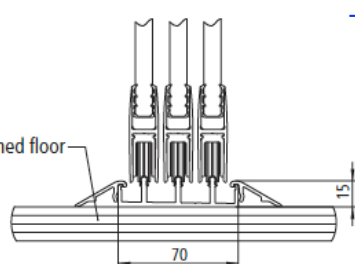
Floor rail with CleanCase® or optionally with drainage holes on top with no attachment profiles



TYPE 6

(with optional drainage holes)

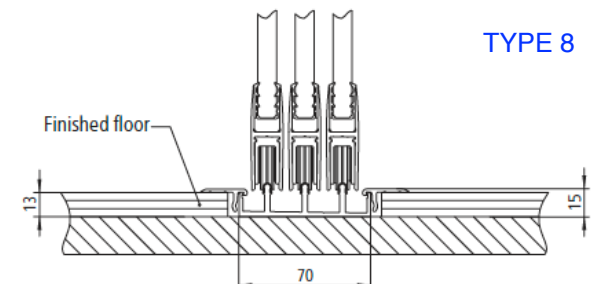
Flat floor rail on top inside with threshold profile



TYPE 7

(no drainage holes)

Flat floor rail on top with threshold profile



TYPE 8

Flat floor rail trimmed in, on both sides with floor gap sealing profile