

# FIXSCREEN® MINIMAL

Discreet sun protection for renovation projects [MS1]



Fixscreen® Minimal



# WHY DO YOU NEED SUN PROTECTION?

Sufficient daylight contributes to comfortable living and working, and a general feeling of well-being. And so the choice for larger windows seems logical. But know that without sun protection the risk of overheating is just around the corner.

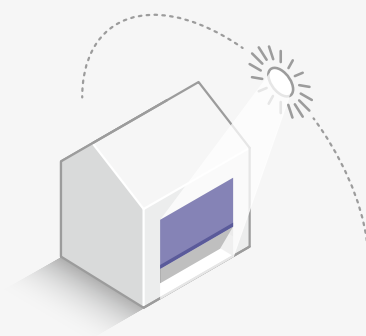
*“External solar shading is the most efficient way to enjoy pleasant indoor temperatures in summer and winter”.*

## CUSTOMISED COMFORT IN EVERY SEASON

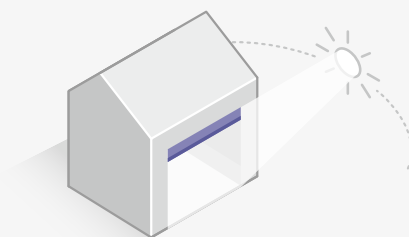
New building projects are increasingly becoming better insulated, with airtight finishing. Although this will reduce your energy bill, it will soon become unbearably hot indoors when the sun shines on large windows. And once you have heat indoors, it is very difficult to expel it from a well-insulated house.

This makes it vitally important to ‘control’ sunlight so that you can enjoy it to the fullest. For example, you could raise the external sun protection during the winter. Because then you do benefit from bringing in as much solar heat as possible to help warm up the interior. In the summer it is a must to let the screens down to keep the inside temperature under control. This also prevents annoying reflections, without disturbing the view of the outside.

### SUMMER



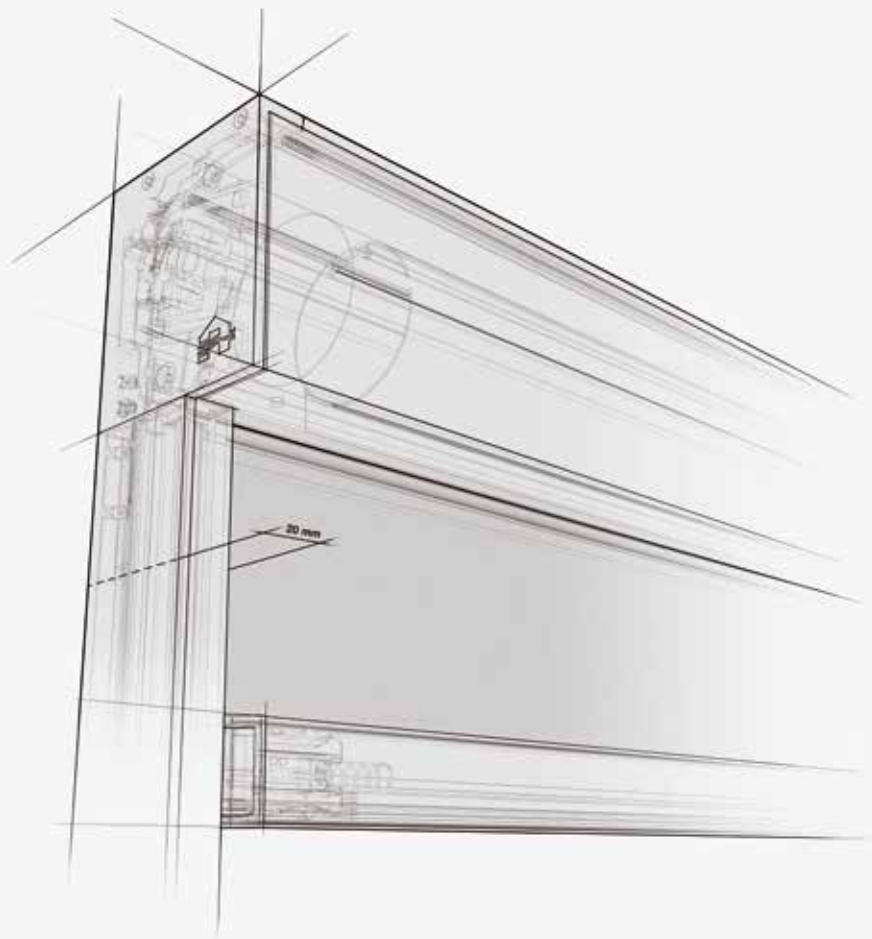
### WINTER





# MINIMAL IMPACT, MAXIMUM POSSIBILITIES

Renson® is a pioneer in windproof sun screens against winds of up to 130 km/h, and its new product the Fixscreen Minimal raises the bar even higher. The ultimate aim is to conceal the screen box and side guiding channels to the maximum extent during renovations or retrofitting. To ensure this, each and every part and detail of the Fixscreen sun screen was studied in depth: box, side guiding channels, fabric roller tube, dimensions, screen tension, etc. The result of these efforts being: minimal dimensions that enable a nearly invisible installation.



# WHY FIXSCREEN® MINIMAL?

Super-slim 20 mm side guiding channel

A 3D cutaway diagram of a window blind frame. The frame is dark brown and features a dark mesh screen. Three callout lines point from text labels on the left to specific parts of the frame: the top side channel, the side channel, and the base plate.

High end design, screwless and with a lacquered aluminium zip channel

0° or 5° lacquered base plate for seamless connection to the window sill



Minimum enclosure size for discreet placement in front of the window

Wide range of RAL and screen colours

Smaller bottom bar with invisible welding seam

# WHY FIXSCREEN® MINIMAL?

## MINIMAL IMPACT ON THE ARCHITECTURE

Thanks to its smaller screen box, the Fixscreen Minimal can be mounted discreetly in front of the window. The **box** has tight, clean lines and Square design, which minimise its impact on the architecture – a decisive factor when renovating or repositioning the box. Two box sizes are available:

- 'Small' box 100 mm high and 90 mm deep
- 'Medium' box 120 mm high and 110 mm deep for dimensions up to 18 m<sup>2</sup>

The design of the side guiding channels and bottom bar was also streamlined and made sleeker. The **side guiding channel XS** has a width of only 20 mm, which is unparalleled in the market. The height of the **bottom bar** has been reduced to just 35 mm.

This new Fixscreen Minimal is also capable of freestanding installation, without compromising its high wind guarantee of up to 100 km/h. It is also ideally suitable for sun protection in balconies and terraces.

Fixscreen Minimal



Fixscreen Minimal Freestanding

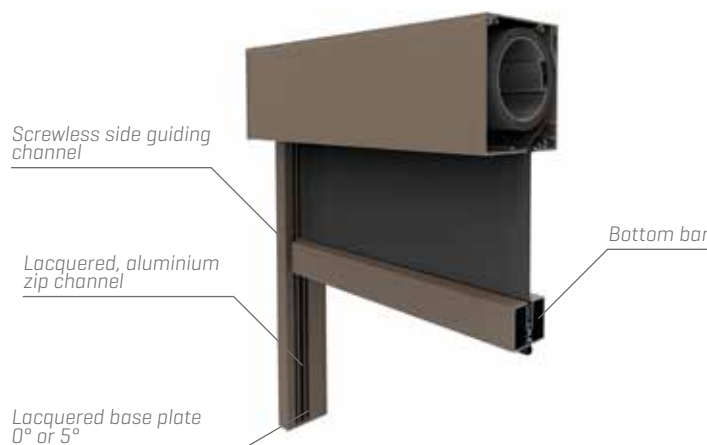


## MINIMALIST DESIGN WITH AN EYE FOR DETAIL

Every minor detail of the Fixscreen Minimal has been designed with the greatest of care. For example, no screws are visible anywhere, since the **side guiding channel** elements snap seamlessly into each other.

Renson® has gone a step further and even integrated a **lacquered aluminium zip channel** into this side guiding channel. The **base plate** has also been integrated into the bottom of the side guiding channel, at 0° or 5°, to ensure a seamless connection to the underlying window sill. To ensure uniform appearance, the zip channel, the side guiding channel and base plate are all in the same colour.

The welding seams in the **bottom bar** – a uniform feature of the entire Fixscreen Minimal screen sun protection range – are also invisible, concealed within a newly designed recessed detail. The result is a beautiful, aesthetically pleasing whole.





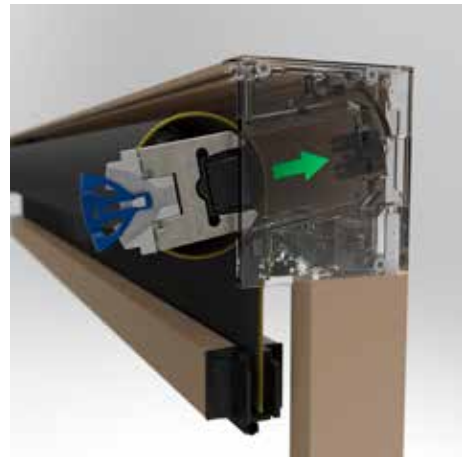
## HIGH-END TECHNOLOGY

The **Connect&Go** is a patented, splash-proof electrical connector in the screen box. This unique innovation enables the screen roller, the motor and the screen to be assembled and disassembled quickly, easily and safely. This well-renowned technology has been totally reworked and redesigned into a more robust unit. The fabric roller tube has been redesigned for screwless snap-fitting into the box.

Apart from being aesthetically pleasing, the aluminium zip channel maintains perfect screen tension, and also increases the durability of the entire assembly. The unique, tried and tested **Smooth technology** formula has also been integrated into this zip channel. With Smooth technology, the zip glides noiselessly into the channel and at the same time guarantees its high wind resistance, even in the long term.

The **screen tension** is achieved through a unique manner in which the screen is integrated into the Fixscreen Minimal. The distribution of tension over the entire screen is jointly ensured by the weighted bottom bar and the aluminium zip channels. The screen within the box itself passes smoothly over a screen guide profile. This ensures the controlled upward and downward movement of the screen – regardless of the amount of screen on the fabric roller tube.

It is the combined effect of these unique innovative technical features that ensures an extremely high wind guarantee, in the closed position, against winds of up to 130 km/h – and up to 100 km/h in the case of freestanding screens.



## EASE OF INSTALLATION COMES FIRST

Ease of installation has been a primary design objective for this new product range. For example, a detail, capable of use in various applications, has been incorporated into the back of the box profile.

- The box can be suspended from a **hook profile** to enable the installation of the sun protection. A simple and quick solution!
- On the other hand, a **fill profile** has been provided for freestanding applications. This ensures an attractive finish for the box.

To further facilitate assembly, a separate **mounting pin** has been provided to connect the box and the side guiding channel.

Consequently, it is now very easy to detach the **bottom bar** from the screen. This reduces the weight, which in turn enables faster assembly and dismantling. The fabric roller tube is also equipped with a new, detachable snap (click) profile that minimises the horizontal line formation in the screen, and also enables you to quickly snap the screen out of the **fabric roller tube**.

Hook profile



Fill profile



Fixscreen® Minimal



## The best suited sun screen in just a few mouse clicks

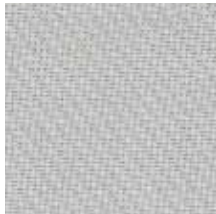
Are your customers convinced of the efficiency of external solar shading screen to keep temperatures in your house from skyrocketing? In that case, it's especially good to know what type of screen is right for you. Fortunately, this can now be done very quickly and easily with the Renson®'s online 'Screen Selector'.

Visit [www.renson.eu/screenselector](http://www.renson.eu/screenselector). Based on the various criteria, including the type of window (corner window, sliding window, horizontal glazing, etc.) and on your personal needs, Renson® will guide you easily through the process of choosing your screen. For example, are you looking for a blackout screen, how important is it to have light coming in and a view of the outdoors, what colours do you prefer, what are your privacy requirements, etc.? Each of these answers online is used as a filter to find the screen that will provide the best result.

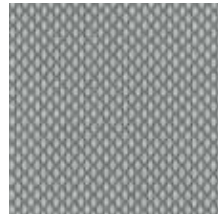


# SCREENS

A large variety of fibreglass screen colours are available for the Fixscreen Minimal. Screen fabrics contribute a decorative aspect in addition to performing their function of offering protection against sunlight. This enables them to seamlessly integrate into the architecture of the home. The screens also have a very long service life, and keep insects out. The screens are distinguished on the basis of their transparency and translucency, with a wide range of options therein. It is possible to have a suitable type of screen for every application, due to their specific characteristics, and the wide range of screen colours available.



*Sergé*



*Natté*



*Privacy*

# RAL COLOURS

The aluminium parts of the screens [screen box and side guiding channels] can be supplied in a large number of RAL colours. The aluminium sun screens can therefore always be seamlessly integrated into the architectural style of the building. This is also because of the following additional options: a glossy or matt version or rather a trendy textured paint that is not only wear and scratch-resistant, but also easy to maintain.



# WARRANTY

Renson® exclusively uses high-quality materials. Your customer is therefore assured of an extended warranty period on all parts, thereby ensuring absolute peace of mind.

- **10-year** warranty on all coatings on the aluminium elements.
- **7-year** warranty on the Fixscreen technology (zip must remain in side guiding channel + optimal connection between zip and screen).
- **5-year** product warranty on normal home use and regular maintenance.

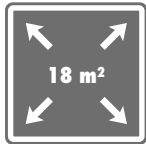


Fixscreen® Minimal

# FIXSCREEN® MINIMAL

## Renovation - Installation method 1 (MS1)

### Installation method 1 Freestanding (MS1F)



Freestanding

## TECHNICAL DETAILS

	Small	Medium
<b>Design</b>		
Box size	100 x 90 mm	120 x 110 mm
Square		✓
Partially retractable bottom bar		-
<b>Wind resistance</b>		
Wind class EN13561:2004		3
Guaranteed wind resistance	Up to 130 km/h when closed	
	Up to 100 km/h for freestanding applications	
<b>Operation</b>		
Detecto Renson® motor Safety First		✓
Somfy IO motor		✓
<b>Technology</b>		
Fixscreen technology		✓
Smooth technology		✓
Renewed Connect&Go technology		✓
<b>Certificates</b>		
Declaration of Performance (DoP)	DOP-2015SC00006	
<b>Warranty</b>		
10-year warranty on the powder coating of the aluminium elements		✓
7-year warranty on Fixscreen technology		✓
5-year warranty on Fixscreen technology for freestanding applications		✓
5-year product warranty		✓
5-year warranty on the screen collection		✓
5-year warranty on the electronic operating system (motor & automation)		✓
5-year warranty on the gloss level		✓

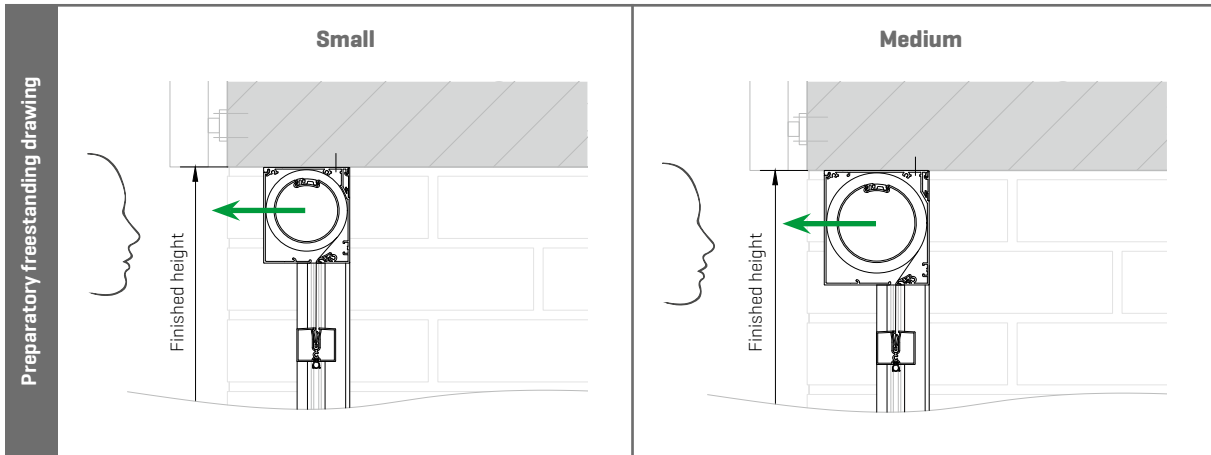
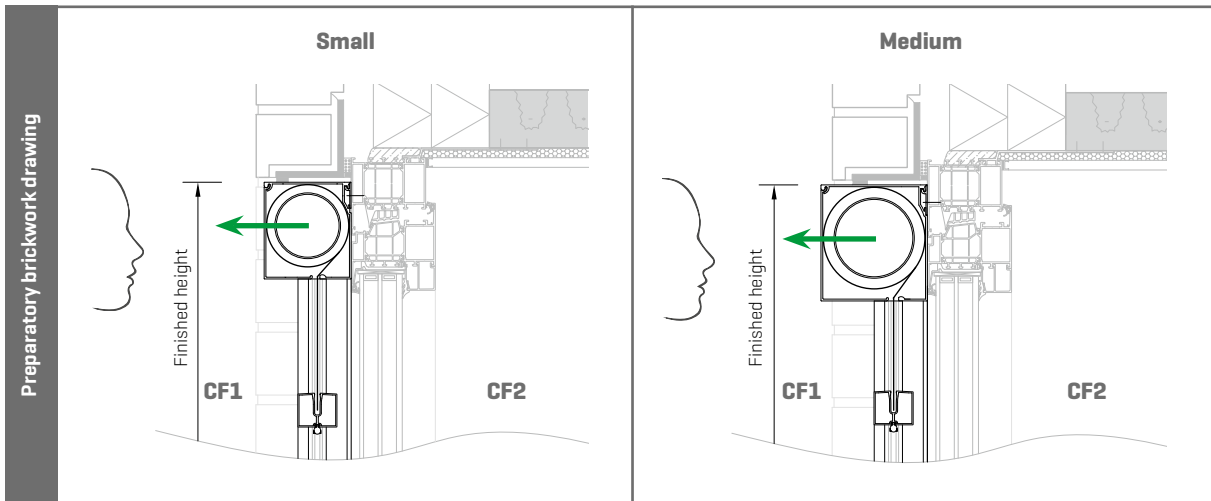
## DIMENSIONS

	Small	Medium
<b>Single screen</b>		
Fibreglass screen Sergé / Natté / Privacy	Min. width Somfy IO	900 mm
	Min. width Detecto	670 mm
	Max. width	4000 mm
	Max. height	2500 mm
	Max. surface area	10 m²

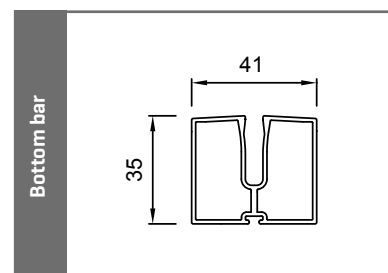
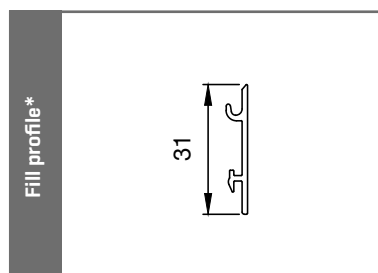
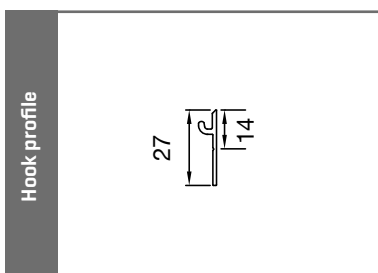
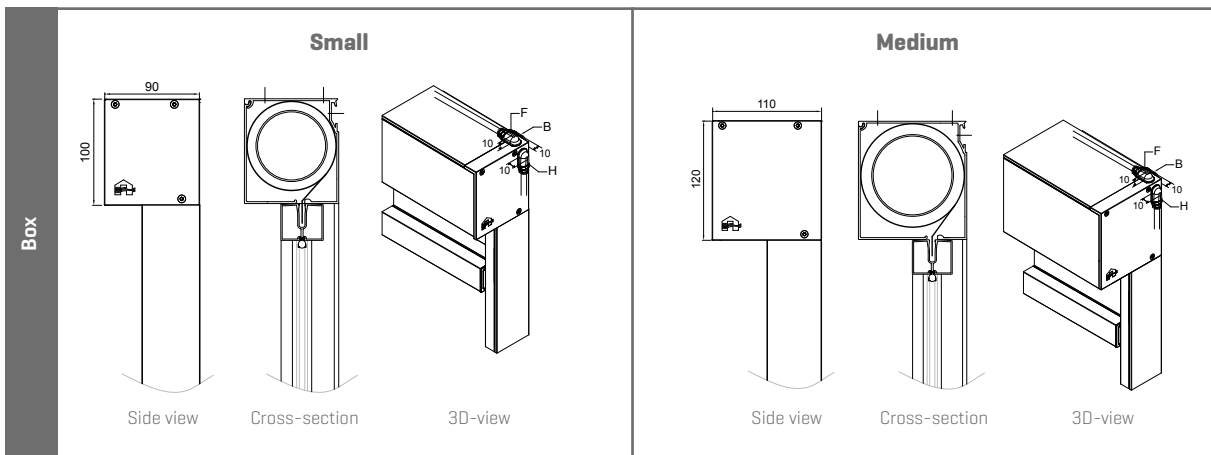
### Note:

- Screens are always motorised.
- 2 screens can be mounted next to each other (box next to box). The dimensions of a single screen apply here.

# TECHNICAL DRAWINGS

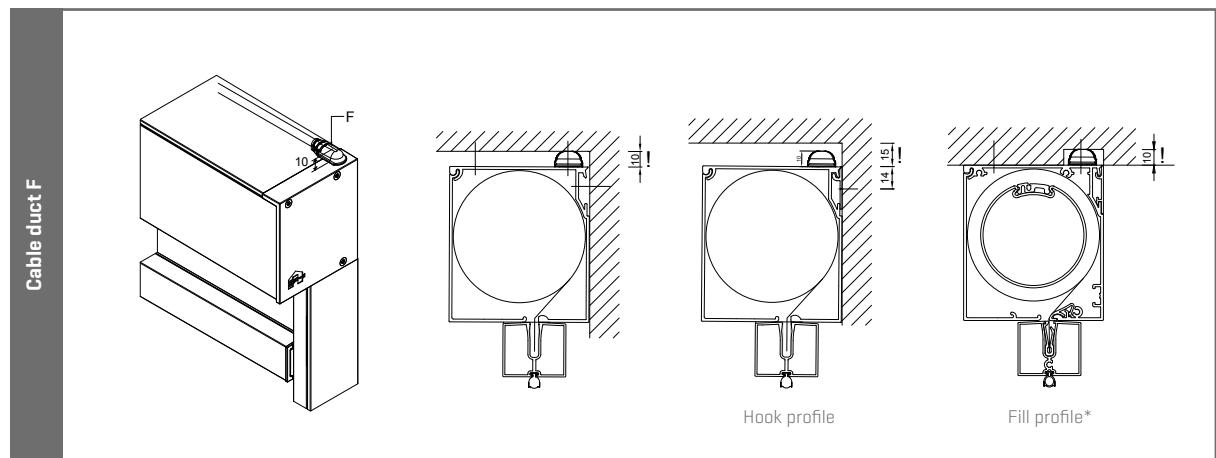
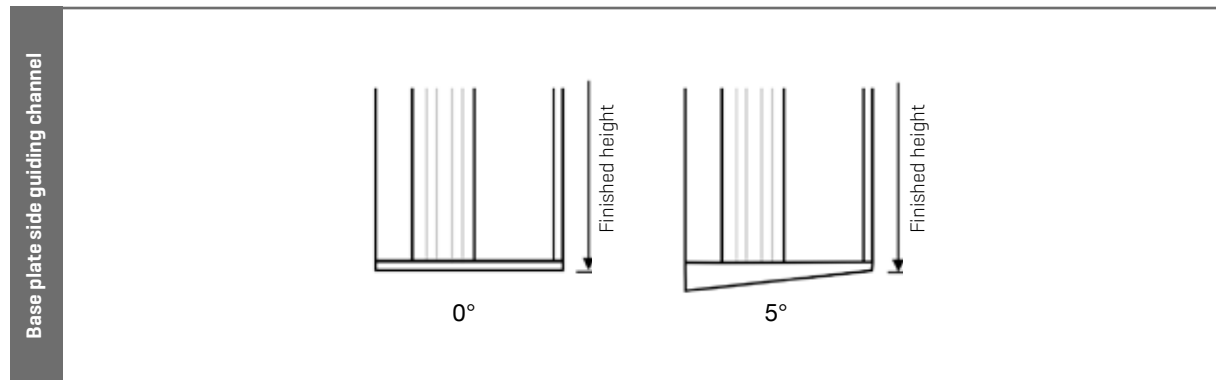
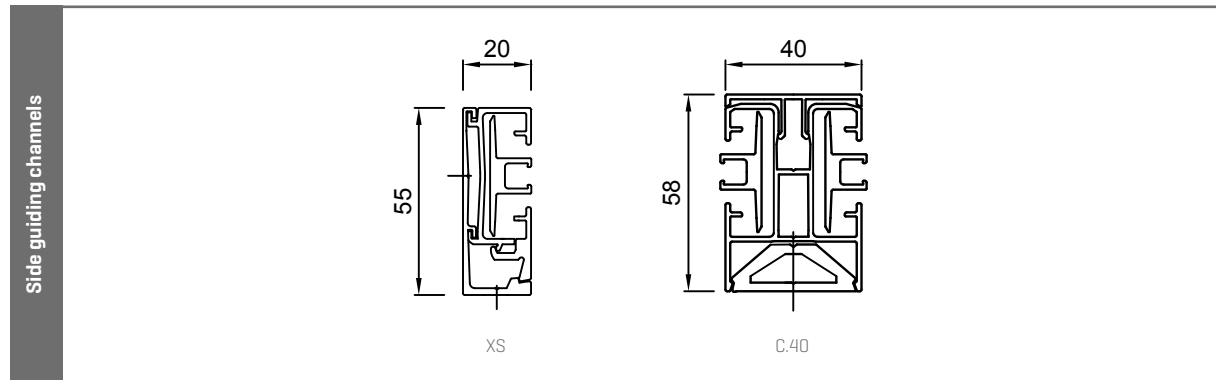


Viewing direction determines selection option cable feed left or right ← Direction in which fabric roller should be demounted

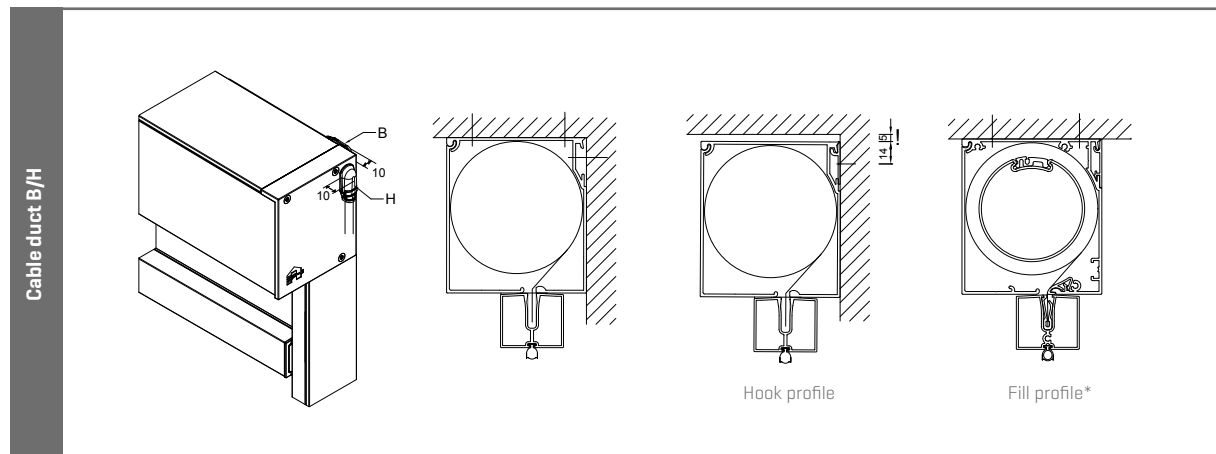


\* Only for freestanding applications

# TECHNICAL DRAWINGS



\* Only for freestanding applications



\* Only for freestanding applications



RENSON® Headquarters  
Maalbeekstraat 10, IZ 2 Vijverdam, B-8790 Waregem, Belgium  
Tel. +32 (0)56 62 71 11  
info@renson.eu  
www.renson.eu

