



# WISO Crystal Station

Art.-no.:  
01100330

## WISO Crystal Station

Art.-no.: 01100330

Combined wind/lux sensor incl. mounting bracket.

## Installation and Operating Instructions

### Short description

- Combined wind/lux sensor
- Crystal shank contains lux sensor
- Compatible with all Vestamatic awning and blind controls

### Safety precautions



- Check the sensor unit for signs of mechanical damage after unpacking. If you notice any shipping damage, do not start up the device and notify your supplier immediately.
- The sensor unit should only be used for the purpose specified by the manufacturer (refer to the operating instructions). Any changes or modifications thereof are not permissible and will result in loss of all warranty claims.
- When setting the wind speed threshold value on your awning controls, make sure that it is consistent with the wind gauge 1 wind meter values.

### Technical data

Wind speed sensor:  
 Measuring range: 2 ... 32 m/s  
 Output: 4 ... 94 Hz  
 Contact type: 1 reed switch  
 Maximum load: 7.5 VA, max. 30 V<sub>~</sub>, max. 250 mA

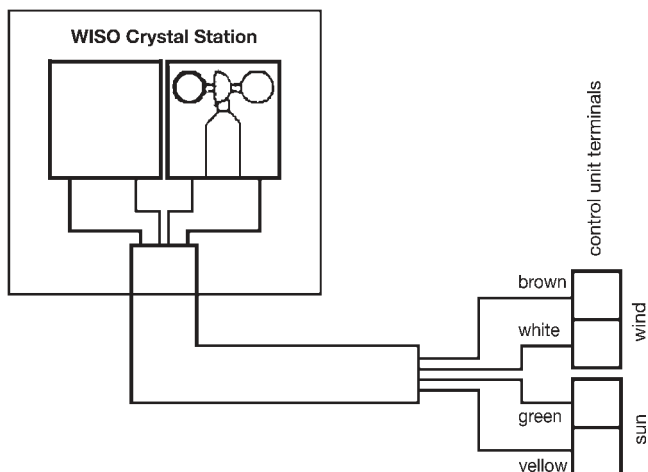
Lux sensor:  
 Measuring range: 0 ... 120 kLux  
 Current input: 0.5 ... 4 mA

Operating temperature: -15 °C (+5 °F) to +60 °C (140 °F)  
 IP class (sensor unit): IP 54  
 Material (plastic parts): UV-stabilised polycarbonate

Conformity:



### Wiring diagram



We recommend that you use the same-coloured LIYY 4 x 0.34mm<sup>2</sup> cable for the control centre connection. Always ensure that the terminal connections are correct.

### Assembly and installation

The sensor unit must be installed and connected by a professional electrician.

1. When deciding where to install the sensor unit, ensure that the wind speed and sun intensity readings, taken at the mounting location, are similar to those taken on the shading device.

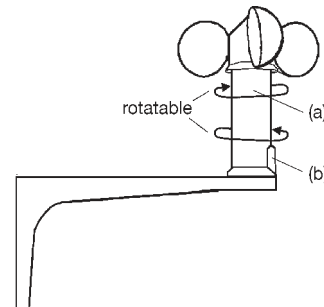


#### WARNING!

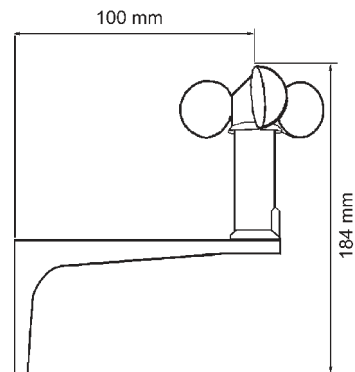
**Do not mount the sensor unit in the shade, or shelter, of the extended shading device. The wall mount should be attached with the sensor unit column pointing upwards as shown in figure 1.**

2. Attach the wall mount using the installation kit supplied.
3. Connect the control supply cable to the sensor cable according to the wiring diagram.
4. If necessary, adjust the sensor unit (a) so that, together with the lux sensor (b), it captures maximum sun intensity.

Figure 1



### Dimensions diagram



**The disposal of electrical equipment and batteries in household waste is strictly forbidden.**



The symbol (dustbin crossed out, in line with WEEE Appendix IV) indicates separate collection of electrical and electronic products in EU countries. Do not dispose of the device or battery in your household waste. Ask your town or local council about the return and collection systems available in your area to dispose of this product.