

MC P2



Art.-no.:
01077010

- MC P2**
- MC P2 MR**
- MC P2 Complete**

Art.-no.: 01077010
Art.-no.: 01077015
Art.-no.: 01077014

Programmable motor control for controlling and individual operating of 2 sunshade devices.

Installation and Operating Instructions

Short description

- Microprocessor-powered motor controller for two sunshades
- Standard 3-wire central input
- Direct connection available for two 230VAC motors
- Connection available for two individual buttons
- Separate connection terminals for mains supply and central transmission
- Secure connection via cage clamp terminal up to 2.5 mm²
- 8 different operating modes can be set, incl. inching mode and intelligent decentralised operation
- Motor run time/tilting time can be individually set

Versions

- Available as surface-mount housing (Art.-no. 01077010)
- Available for mounting rail installation (Art.-no. 01077015)
- Also available with threaded-hole housing incl. attached self-sealing grommets (Art.-no. 01077014)

Safety precautions



- Contact a professional electrician to install the control system, because the control system requires a power supply of 230VAC, 50 Hz.
- Check the control system for signs of mechanical damage after unpacking. If you notice any shipping damage, do not start up the control system and notify your supplier immediately.
- The control system should only be used for the purpose specified by the manufacturer (refer to the operating instructions). Any changes or modifications thereof are not permissible and will result in loss of all warranty claims.
- If the control unit cannot be operated without presenting a hazard, it must be switched off and prevented from being switched on unintentionally.
- When performing work on the windows, controls or connected shades, protect them against unauthorised or unintentional operation.

The disposal of electrical equipment and batteries in household waste is strictly forbidden.



The symbol (dustbin crossed out, in line with WEEE Appendix IV) indicates separate collection of electrical and electronic products in EU countries. Do not dispose of the device or battery in your household waste. Ask your town or local council about the return and collection systems available in your area to dispose of this product.

Technical data

Power supply:	230VAC, 50 Hz
Impulse voltage withstand level:	2.5 kV
Rated power:	1.8 W
Fuse:	6 AT
Output:	230VAC, 50 Hz
Maximum load:	250VAC, 6 A, $\cos \varphi \cong 0.8$ ind.
Align switching time extend:	3 – 180 s
Align switching time retract:	180 s
Permissible motor current when connecting 1 motor:	6 A max.
when connecting 2 motors:	each 3 A max.
Software class:	A
Operating temperature:	0 °C (32 °F) to +40 °C (104 °F)
IP class:	IP 40
Degree of contamination:	2
Dimensions (L x W x H)	
MC P2 / MC P2 Complete:	186 x 55 x 74 mm
MC P2 MR:	140 x 65 x 40 mm (4 particular units)
Mark of conformity:	CE

Assembly and installation



WARNING!

Risk of injury due to improper installation and commissioning. Improper installation and commissioning may lead to personal injury or property damage.

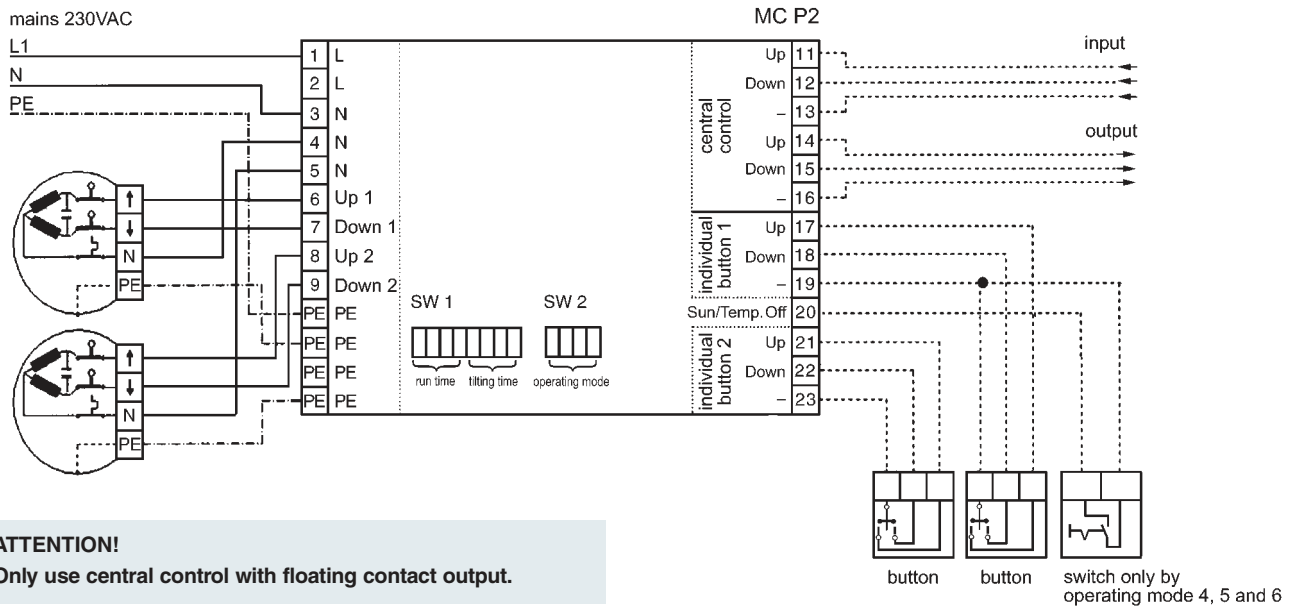
Therefore:

- When connecting the device, observe the currently valid VDE standards (in particular DIN VDE 0100/0700), your local power company's regulations and the current accident prevention regulations.
- Connect the control in accordance with the wiring diagram.
- Only use central control with floating contact output.

Notes for professional electricians

1. Switch off the power supply.
2. Remove the screws on the upper part of the control and carefully take the housing cover off.
3. Install the control.
4. Connect the power supply cables and external connections according to the wiring diagram. Do not lay cables above or below the PC board.
5. Set the desired operating mode.
6. Set the desired motor run time and the tilting time, if necessary.
7. Switch on the power supply.
8. Check the motor's direction of rotation and correct it, if necessary.
9. Mount the housing cover.

Wiring Diagram



Operation

IDS Function

WARNING!
While the central command is being executed, operation by means of individual control is not possible.

The IDS (Intelligent Decentralised Sunshade control) feature enables the sun- and temperature dependant control signals on the central controls to be disabled when a button is pressed on the decentralised controls. No additional installation work is required.

In operating mode 4, for example, the IDS-Function enables you to suppress sun- and temperature dependent extract or extend commands while all other central commands, such as for privacy and safety protection use are continuously executed. To enable this function connect a switch to terminal 19 and 20.

Individual or group operation is performed by wire interconnection using a locked/unlocked button.

Functional description

WARNING!
The following operating modes 4, 5 and 6 may only be used when using Vestamatic-controls with IDS-function.

- Operating mode 1: The single command will be stored after 2s; individual control of up to 2s will run the sunshade for the duration of the command (dead man's operation). A central command will run the sunshade for the duration of the command (dead man's operation).
- Operating mode 2: The single command will be stored after 5s; individual control of up to 5s will run the sunshade for the duration of the command (dead man's operation). A central command will run the sunshade for the duration of the command (dead man's operation).
- Operating mode 3: The single command will be stored immediately. A central command will run the sunshade for the duration of the command (dead man's operation).

- Operating mode 4: The single command will be stored after 2s; individual control of up to 2s will run the sunshade for the duration of the command (dead man's operation). Sun- and temperature dependent central commands can be suppressed by means of a switch at the terminals 19 and 20.
- Operating mode 5: Special function 1
- Operating mode 6: Special function 2
- Operating mode 7: The single command will be stored immediately. The central command will be stored immediately.
- Operating mode 8: The single command will be stored after 2s; individual control of up to 2s will run the sunshade for the duration of the command. The central command will be stored after 2s; central operation of up to 2s will run the sunshade for the duration of the command.

Run time of the extend command

DIP switch SW1:					
S1	S2	S3	S4	Run time	*
The duration of the retract command is always 180 s.					
OFF	OFF	OFF	OFF	5 s	
OFF	OFF	OFF	ON	10 s	
OFF	OFF	ON	OFF	15 s	
OFF	OFF	ON	ON	18 s	
OFF	ON	OFF	OFF	21 s	
OFF	ON	OFF	ON	24 s	
OFF	ON	ON	OFF	27 s	
OFF	ON	ON	ON	30 s	
ON	OFF	OFF	OFF	35 s	
ON	OFF	OFF	ON	40 s	
ON	OFF	ON	OFF	50 s	
ON	OFF	ON	ON	60 s	
ON	ON	OFF	OFF	80 s	
ON	ON	OFF	ON	100 s	
ON	ON	ON	OFF	120 s	
ON	ON	ON	ON	180 s	

Operating mode

DIP switch SW2:							
S1	S2	S3	S4	Operating mode		Tilting	*
				No.	Application		
OFF	OFF	OFF	OFF	1	standard venetian blinds / curtain blinds	possible only via central command	
OFF	OFF	OFF	ON	2	venetian blinds / curtain blinds with slow start velocity	possible only via central command	
OFF	OFF	ON	OFF	3	roller shutters	possible only via central command	
OFF	OFF	ON	ON	4	IDS venetian bl./curtain bl. with autom. interlock	adjustable, 0 – 2 s	
OFF	ON	OFF	OFF	5	IDS spec. venetian blinds/curtain blinds special function 1	adjustable, 0 – 5 s	
OFF	ON	OFF	ON	6	IDS spec. venetian blinds/curtain blinds special function 2	adjustable, 0 – 2 s	
OFF	ON	ON	OFF	7	roller shutters	no tilting possible	
OFF	ON	ON	ON	8	venetian blinds without slow start velocity	possible only via central command	
ON	X	X	X		inadmissible		

* This is where you can note your project-specific basic settings.

Tilting time

Depending on the operating mode selected one of the following tables shall apply for setting the required tilting time. The tilting time will only be executed after a central command!

Tilting time table for operating mode 4, 6

DIP switch SW1:					
S5	S6	S7	S8	Tilting time	*
OFF	OFF	OFF	OFF	no tilting	
OFF	OFF	OFF	ON	0.1 s	
OFF	OFF	ON	OFF	0.2 s	
OFF	OFF	ON	ON	0.3 s	
OFF	ON	OFF	OFF	0.4 s	
OFF	ON	OFF	ON	0.5 s	
OFF	ON	ON	OFF	0.6 s	
OFF	ON	ON	ON	0.7 s	
ON	OFF	OFF	OFF	0.8 s	
ON	OFF	OFF	ON	0.9 s	
ON	OFF	ON	OFF	1.0 s	
ON	OFF	ON	ON	1.2 s	
ON	ON	OFF	OFF	1.4 s	
ON	ON	OFF	ON	1.6 s	
ON	ON	ON	OFF	1.8 s	
ON	ON	ON	ON	2.0 s	

Tilting time table for operating mode 5

DIP switch SW1:					
S5	S6	S7	S8	Tilting time	*
OFF	OFF	OFF	OFF	no tilting	
OFF	OFF	OFF	ON	0.4 s	
OFF	OFF	ON	OFF	0.7 s	
OFF	OFF	ON	ON	1.0 s	
OFF	ON	OFF	OFF	1.3 s	
OFF	ON	OFF	ON	1.6 s	
OFF	ON	ON	OFF	1.9 s	
OFF	ON	ON	ON	2.2 s	
ON	OFF	OFF	OFF	2.5 s	
ON	OFF	OFF	ON	2.8 s	
ON	OFF	ON	OFF	3.1 s	
ON	OFF	ON	ON	3.4 s	
ON	ON	OFF	OFF	3.7 s	
ON	ON	OFF	ON	4.0 s	
ON	ON	ON	OFF	4.5 s	
ON	ON	ON	ON	5.0 s	

* This is where you can note your project-specific basic settings.