



Hoher Kasten, Appenzell Alps



Private estate



Grand Resort Bad Ragaz

SOMBRANO® S+ La gran sombra 360°

Glatz
Shade in Swiss Quality



Lugares de uso



SWISS
DESIGN

Formas de fijación



Tuscany, Italy



Birgit und Bier Berlin

Material and technology

Frame: 8 rods made of aluminium, with crank mechanism, (self-locking on both sides) and tilting rod for effortless tilting of the shade roof on both sides up to 54 degrees. The pole profile is oval 66 × 95 × 3 mm. M4 turnable ball-bearing base, powder-coated cast steel, is included. With hand crank.

Frame colour: material class 4 and 5: anodized natural or graphite grey powder-coated
material class 2: graphite grey powder-coated

Frameform: round, rectangular or square

Shade cover: self-tautening thanks to the flexible rod ends
material class 5 (100% polyacrylic approx. 300 g/m²)
material class 4 (100% polyester approx. 250 g/m²)
material class 2 (100% polyester approx. 220 g/m²)

Flounce: not available

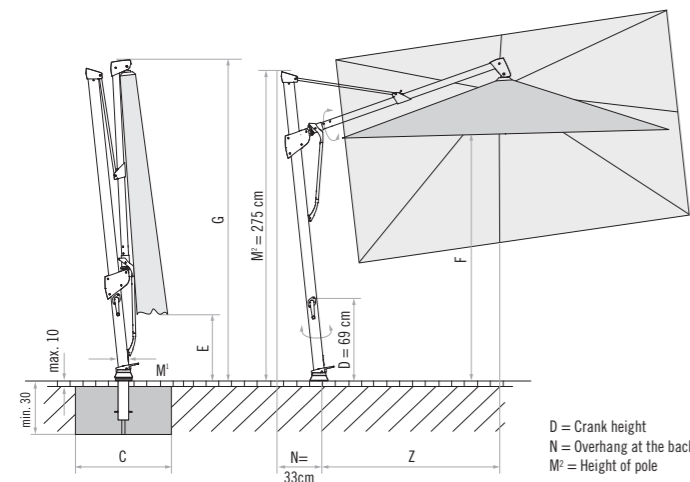
Protective cover: included in the standard equipment

Assortment

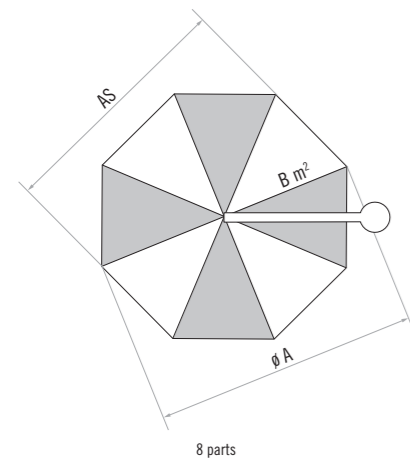
Nominal size	Lateral distance	Pole Ø	Area covered	Height closed	Clear headroom	Total height	Length of free-arm	Foundation	Minimum weight for base	max. wind speed open perm.	Order no.	Order no.
											Frame anodized natural	Frame graphite grey
cm	cm	cm	m ²	cm	cm	cm	cm	cm	kg	km/h (wind force)		
A	AS	M'	B	E	F	G	Z	C				
Ø 350	325	6.6×9.5	8.7	90	205	285	165	60×60	120	45 (6)	085 00 350 171	085 00 350 321
Ø 400	370	6.6×9.5	11.3	85	210	300	185	60×60	150	35 (5)	085 00 400 171	085 00 400 321
400×300	-	6.6×9.5	12	35	210	300	185	60×60	150	35 (5)	085 00 402 171	085 00 402 321
300×300	-	6.6×9.5	9.0	55	215	285	165	60×60	120	45 (6)	085 00 310 171	085 00 310 321
350×350	-	6.6×9.5	12.3	40	215	300	185	60×60	150	35 (5)	085 00 351 171	085 00 351 321

8 parts

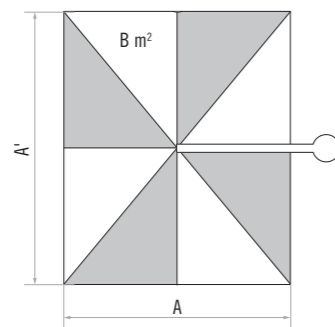
The listed measures represent extrapolated average values that may be slightly different on the product ($\pm 2\% \pm 5\text{ cm}$).
The height dimensions are based on the ground socket M4. With the base M4, 120 kg these vary by plus 11.5 cm and with the base M4, 180 kg by plus 15.5 cm.
The max. wind speed limits as per our separate sheet apply only if the sunshade canopy is in a horizontal position and if there is a fix ground anchorage.
In the presence of several sunshades, the minimum distance between one sunshade and another and between sunshades and walls shall be 20 cm.



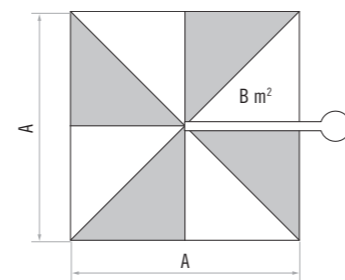
Loose cover max. 10 cm, concrete thickness min. 30 cm (pay attention to frost depth), water outflow



8 parts



8 parts



8 parts

Accessories

	Order no.
3 Base with castors M4 (weight set absolutely necessary)	
1. Base frame with castors M4, 150 kg, 80×80×14, galvanised steel	350 01 103 000
Cast concrete decor weights set, 4 pieces 25101104500 (approx. 125 kg) for 350 01 103 000	350 01 103 100
2. ¹ Base frame with castors M4, 150 kg, Ø 88×17 cm, anthracite plastic cover	350 01 102 700
¹ Weights set, 4 pieces 35001105600, cement, for base with castors 150 kg, (approx. 99 kg) for 350 01 102 700	350 01 103 600
¹ Protective cover for base with castors M4, 150 kg for 350 01 102 700	350 01 602 600

Fixing option M4

3. Base M4, 120 kg, (for 8 plates 40×40×4 cm), 91×91×11.5 - 15.5 cm, galvanised steel (adjustable and levellable) (price without plates)	350 01 108 235
3. Base M4, 180 kg, (for 12 plates 40×40×4 cm), 91×91×15.5 - 19.5 cm, galvanised steel (adjustable and levellable) (price without plates)	350 01 108 335
4. Cover for base M4, 88×88×5 cm, brushed aluminium (imitation)	350 01 100 400
Set of castors for base M4 (maximum weight 240 kg), Ø 5 cm, H= 5.5 cm, galvanised steel	350 01 100 500
5. ³ Granite base M4, 120 kg, 90×90×17 cm, natural stone with castors	350 01 109 470
6. Ground socket M4, galvanised steel	350 01 226 510
7. Mounting plate M4/M8, 30×30×1.5 cm, galvanised steel	350 01 226 921
8. Mounting plate M4 special, for installation height 50 – 149 mm, galvanised steel	350 01 226 932
9. Mounting plate M4 special, for installation height 150 – 350 mm, galvanised steel	350 01 226 930
Mounting plate M4 for isolated grounds, installation height made to measure, high-grade steel 1.4301/304	350 01 229 730
10. Wall console M4, extension 480 mm, galvanised steel	350 01 229 405
11. Wall console M4, extension 100 mm, galvanised steel	350 01 229 410

Slabs for base M4

Slab set, 8 pieces, 40×40×4 cm, (ca. 110 kg), concrete	350 01 226 908
Slab set, 8 pieces, 40×40×4 cm, (ca. 115 kg), 4 pieces concrete, 4 pieces in granite-look	350 01 226 909
Slab set, 12 pieces, 40×40×4 cm, (ca. 165 kg), concrete	350 01 226 907
Slab set, 12 pieces, 40×40×4 cm, (ca. 170 kg), 8 pieces concrete, 4 pieces in granite-look	350 01 226 906

Protective cover, coated polyester fabric

12. Protective cover with zip and rod for the SOMBRANO®, Ø 350, 300×300	350 01 221 490
5 pieces, protective cover with zip and rod for the SOMBRANO®, Ø 350, 300×300	350 01 221 491
12. Protective cover with zip and rod for the SOMBRANO®, Ø 400, 400×300, 350×350	350 01 221 500
5 pieces, protective cover with zip and rod for the SOMBRANO®, Ø 400, 400×300, 350×350	350 01 221 501

Miscellaneous items

13. Rechargeable battery light Osyryon 6 for pole Ø 30 – 50 mm, battery charger with european plug (type C) included 1 accumulator included	350 01 557 950
14. Rechargeable battery light Osyryon 4 for pole Ø 30 – 50 mm, battery charger with european plug (type C) included 1 accumulator included	350 01 557 910
Spare accu, 3.6 V, 2500 mAh (for Osyryon 4 & 6)	350 01 557 920
15. ¹ Base transporter for sockets weighing 120 kg, 180 kg, 240 kg, 430 kg and 620 kg	350 01 909 000

¹while stocks last

³only suitable for smooth, joint free surface coverings

