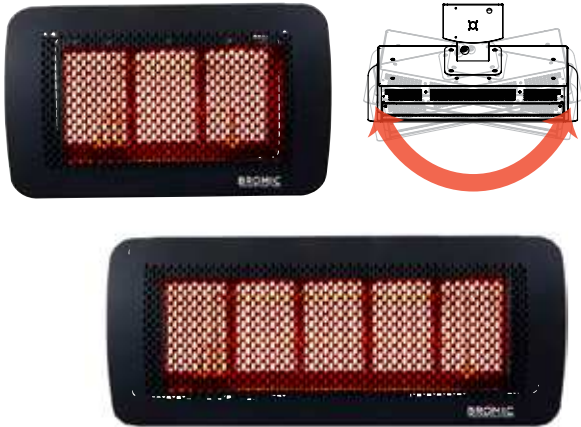


TUNGSTEN SMART-HEAT™ GAS

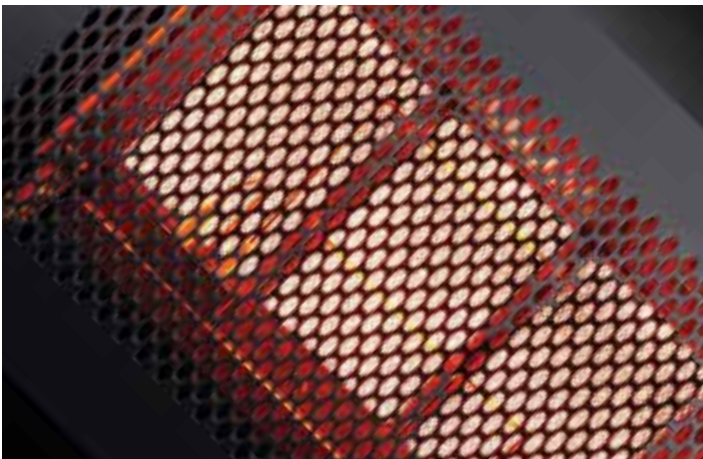


A designed, cost-conscious product blending aesthetics and function

A designed, cost-conscious product range that does not sacrifice aesthetics for function.

The patented direct ignition system, never before seen on an outdoor gas radiant heater, ensures a reliable start and effective operation, even in winds of up to 12km/h.

Easy pivot arm provides greater positioning versatility and heat coverage.

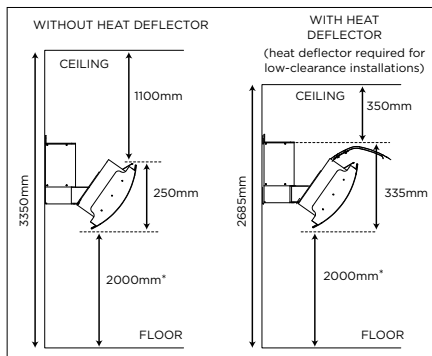


GB0717TG

FEATURES:

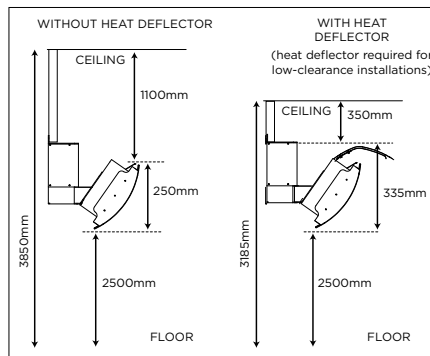
- Universal bracket — easy upgrade from 300 to 500 model. No additional plumbing or wiring required.
- Bi-directional easy-pivot arm — 25° rotation each side.
- Electronic ignition — one or multiple units can be switched on and off simultaneously from a single remote-located switch.
- Automatic re-ignition — should the heater not re-ignite for any reason, the integrated “Flame Failure safety Shut-off Control” turns the heater off immediately.
- Stainless steel casing — components are protected from tampering. Assists in preventing dirt and dust from accumulating on the wiring and components.

MINIMUM INSTALLATION CLEARANCES WALL MOUNTING

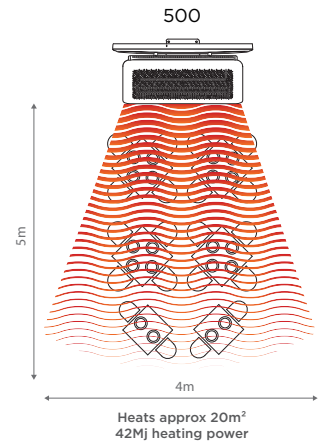
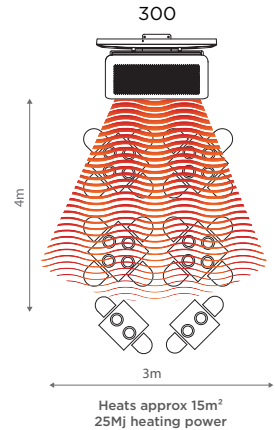


*Non-residential indoor 2500mm

MINIMUM INSTALLATION CLEARANCES CEILING MOUNTING

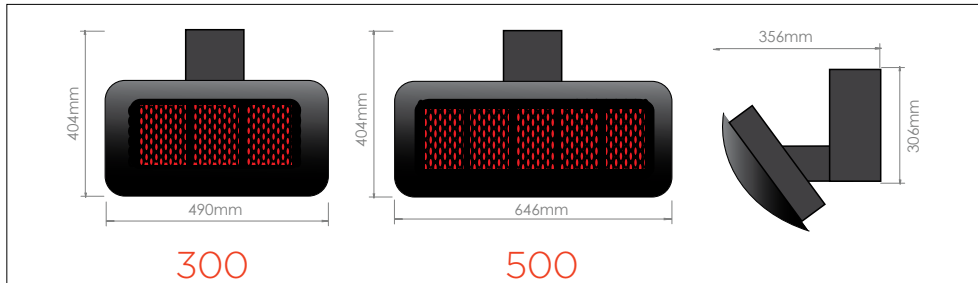


HEATING AREAS:



*Heat area dependent on ambient temperature and wind. Optimum conditions experienced at approx 15.5°C & low wind.

DIMENSIONS



SPECIFICATIONS

Model		300 Series	500 Series
Part no.	LPG ^{1,2}	BH0210013-1	BH0210014-1
	Natural Gas ^{1,2}	BH0210005-1	BH0210007-1
Heat Deflector part no.		BH0110011	BH0110012
Ceiling Pole	5 pole lengths to suit ceiling heights of 3.2, 3.4, 3.6, 3.8 and 4m (contact Bromic Heating for more information)		
Heat Output (on LPG and NG)		25 Mj	42 Mj
Approximate area heated (m ²)		up to 15 m ²	up to 20 m ²
Gas connection		Rp 1/2" or G 1/2"	Rp 1/2" or G 1/2"
Electrical connection		220-240 V	220-240 V
Dimension (WxDxH mm)		490 x 356 x 404 mm	646 x 356 x 404 mm
Min. distance to combustible materials ²		Side: 1100 mm	
(without heat deflector) ²		Above (to ceiling): 1100 mm	
(with heat deflector) ²		Above (to ceiling): 350 mm	
Weight (kg)		15 kg	20 kg

¹Must only be installed by a licensed technician. Must complete "Pre-Installation Checklist" before installing. ²The temperature will not exceed 65°C above the ambient temperature at specified distances. Please consult material manufacturer for temperature ratings and suitability. Bromic Heating takes no responsibility for material compliance.

ACCESSORIES*

- Dual-directional ceiling pole
- Ceiling Pole Unit must be mounted 2.5m off the ground
- Dual-layer heat deflector (See part numbers in table below)

