

Profile system

- Framed slide and turn system
- Non-thermally insulated aluminum profiles with insulated glass
- Option of flush or weathered bottom track
- The flush bottom track is particularly suitable for use in „Barrier-free dwellings“ according to DIN 18 025
- Panels can be stacked open either internally or externally
- Opening of panels by sliding to one side or to both sides
- Optionally with or without lateral vertical frame profiles
- Height variations can be compensated by a height compensation profile

Tests

- Airborne sound insulation $R_w = 30$ dB according to DIN EN ISO 140-3
- Measurement of deflection class 3 according to DIN EN 12211/12210 (20 mm glass (4/12/4))
- Repeated pressure/wind suction class 3 according to DIN EN 12211/12210 (20 mm glass (4/12/4))
- Safety test class 3 according to DIN EN 12211/12210 (20 mm glass (4/12/4))

Fittings

- All fittings are concealed within the profiles
- Low-maintenance, non-corroding and failsafe fittings
- Inside and/or outside locking and unlocking possible
- Locking and unlocking via pull rod or turning knob
- Optionally with lever lock („child-proof“)

Running assembly

- Top running, low-maintenance horizontal running assemblies, each equipped with two rollers
- The running assemblies feature each three smooth-running needle bearings and two carbon fibre reinforced polyamide rollers
- Running assemblies out of stainless steel metal components
- Low-noise, low-wear, heat and cold resistant running surfaces
- Running assemblies pivot at any angle between 90° and 180°

Sealing and ventilation

- Tongue and groove system between the panels
- Brush gaskets are fitted horizontally at the top and bottom on the inside and outside
- Lower and upper brush gaskets are attached to the panel frames and not to the guide track

Glazing

- Insulated glass of 18 or 20 mm possible
- Subsequent replacement of panels without difficulty

Drainage

- Unpressurised drainage via inclined floor construction
- Integrated water drainage channel on inside of bottom track
- End-caps for lateral sealing of bottom track

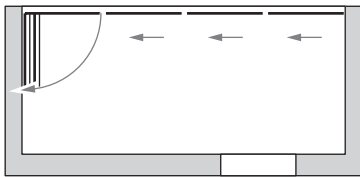


Test Report 40-33/13



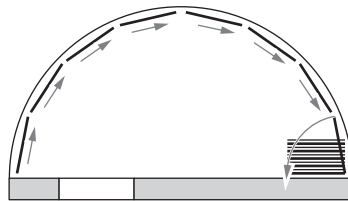
Test Report 1238-001-09
and 1238-002-09

Straight Systems

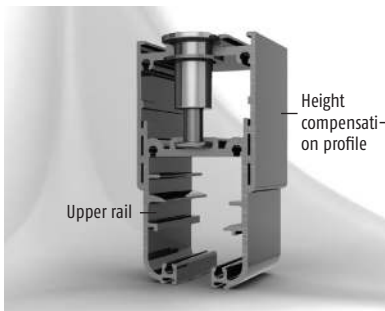
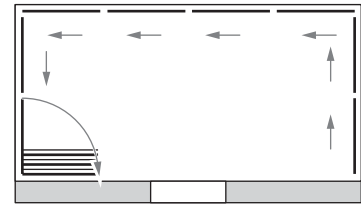


more special Systems on request

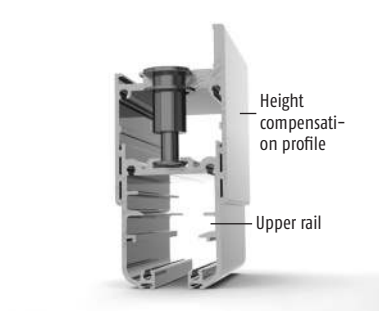
Segmented Systems



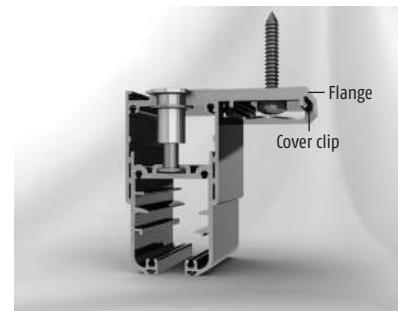
Angle Solutions 90°-180°



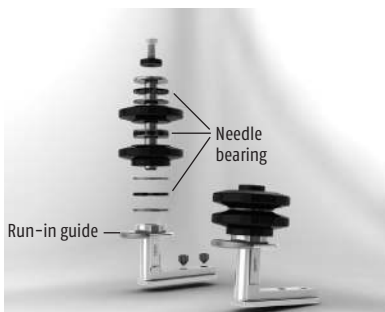
- Slightly arched running surfaces for carriage to improve running features
- Modified height compensation profile allows an adjustment of up to 22 mm



- Height compensation profile with flange



- Height compensation profile with flange
- Screw cap with cover clip



- Completely new, stainless carriage system
- Arched run-in guide



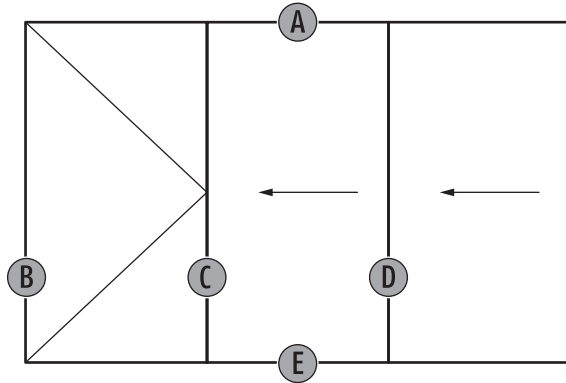
- New panel profile end caps for 6, 8 and 10 mm including pick-up for glass panel t-slot nut and cover clip fixing device
- Panel guidance for recessed floor rail



- Optimal panel guidance without guide arm when opening and closing

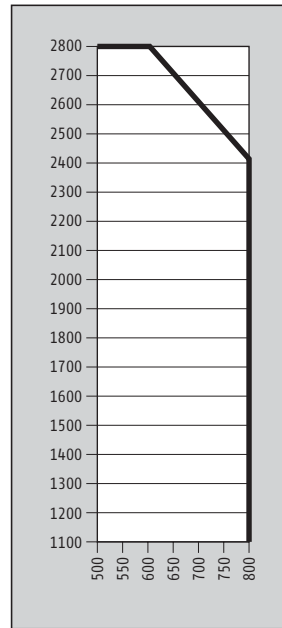


- Carriage recess optionally available without guide arm but with covering flap



Details at uneven panel partitioning in one direction

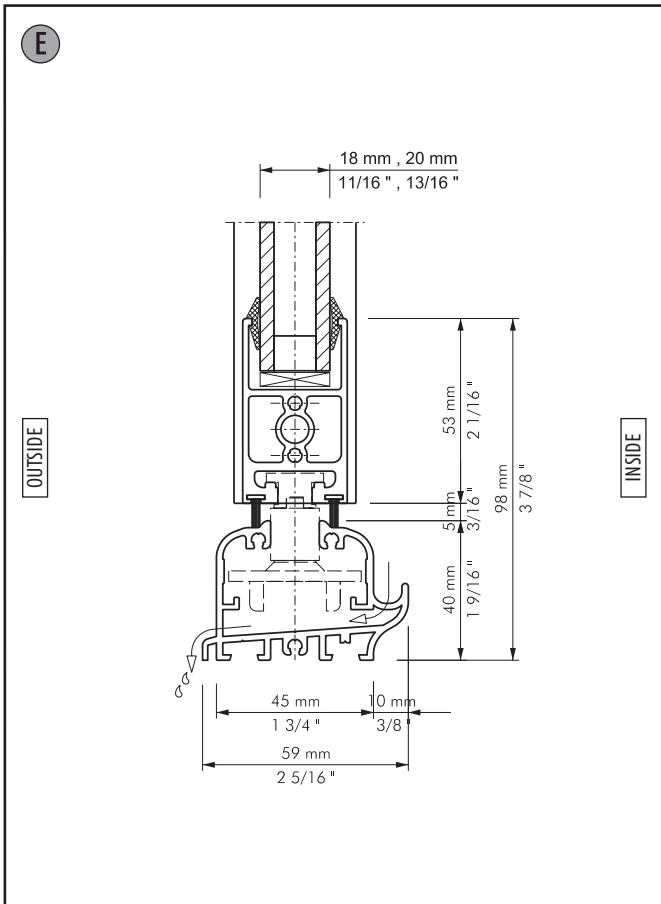
Panel size diagram



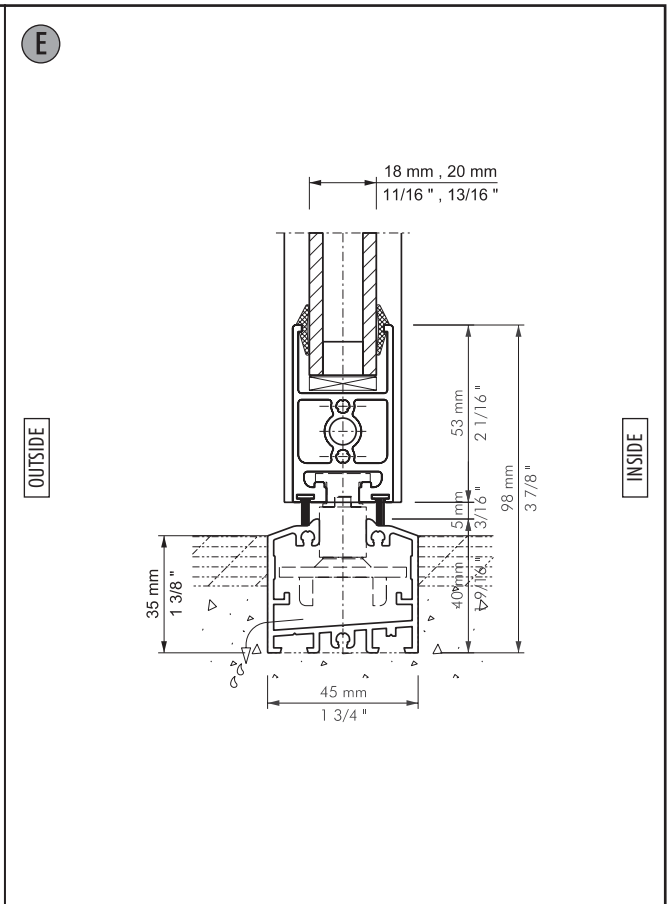
* For panel sizes exceeding 2600 mm – special inquiry

* Basis glazing 18 mm (25 kg/m²)

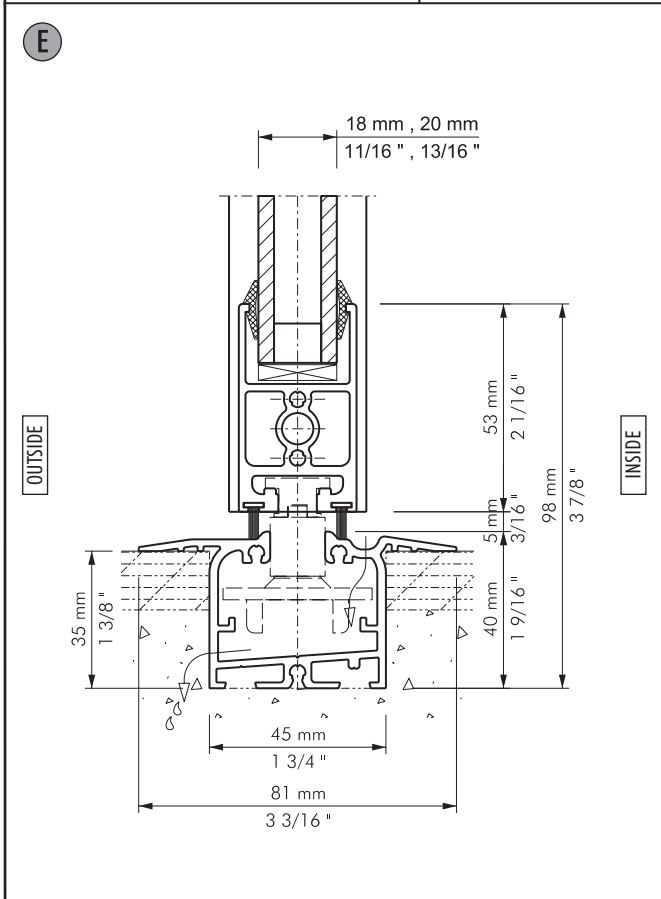
Ref.	Section	Description	Page
E	SF35-003	Vertical-Section, bottom track	4
E	SF35-004	Vertical-Section, flush bottom track	4
E	SF35-011	Vertical-Section, flush bottom track with support profile	4
E	SF35-010	Vertical-Section, bottom track	4
A	SF35-009	Vertical-Section, bottom track on balustrade connector	5
A	SF35-008	Vertical-Section, bottom track on balustrade and strengthening profile	5
A	SF35-001	Vertical-Section, top track	5
A	SF35-002	Vertical-Section, top track with height compensations profile	5
A	SF35-005	Vertical-Section, height compensations profile with flange - horizontal	6
A	SF35-006	Vertical-Section, height compensations profile with flange - vertical	6
A	SF35-007	Vertical-Section, overhead light connection with height compensation profile	6
D	SF35-101	Horizontal-Section, panel - panel	6
C	SF35-102	Horizontal-Section, turn panel - slide panel	7
B	SF35-103	Horizontal-Section, sidewise wall connection	7
D	SF35-104	Horizontal-Section, panel - panel 90°- bending	7



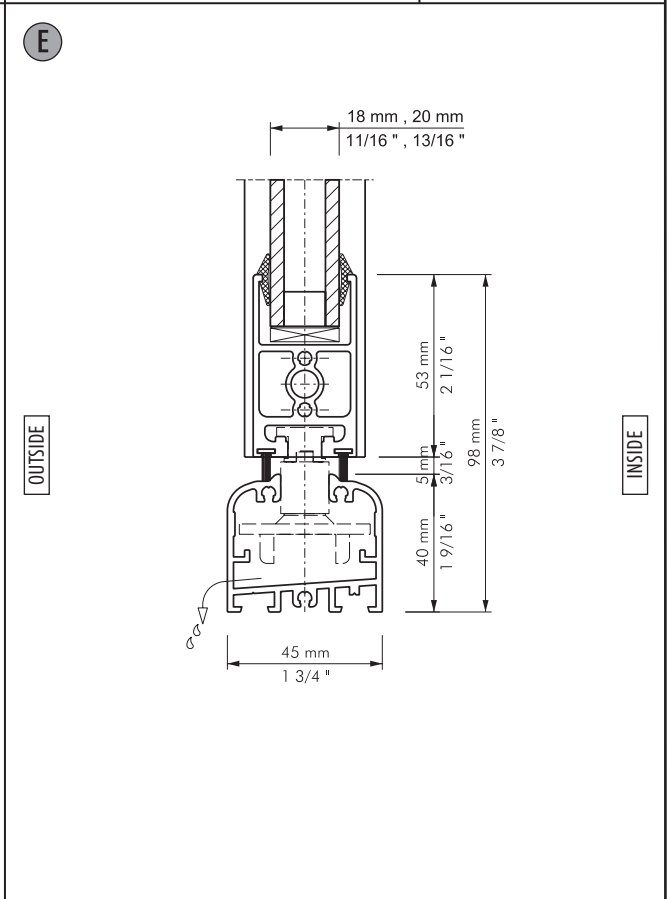
Description: Vertical-Section, bottom track	System: SF35
	Detail-No.: SF35-003



Description: Vertical-Section, flush bottom track	System: SF35
	Detail-No.: SF35-004

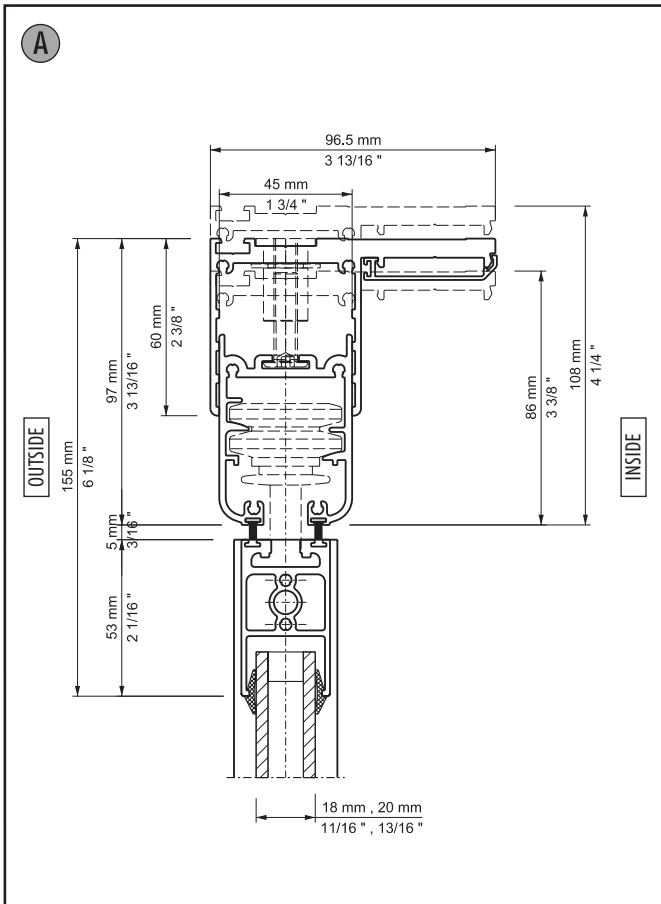


Description: Vertical-Section, flush bottom track with support profile	System: SF35
	Detail-No.: SF35-011

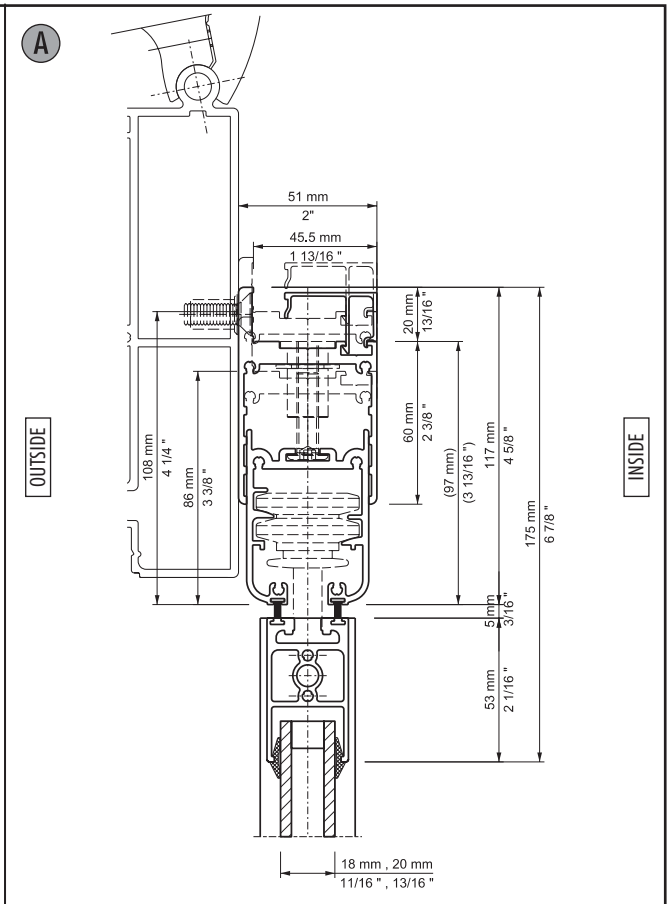


Description: Vertical-Section, bottom track	System: SF35
	Detail-No.: SF35-010

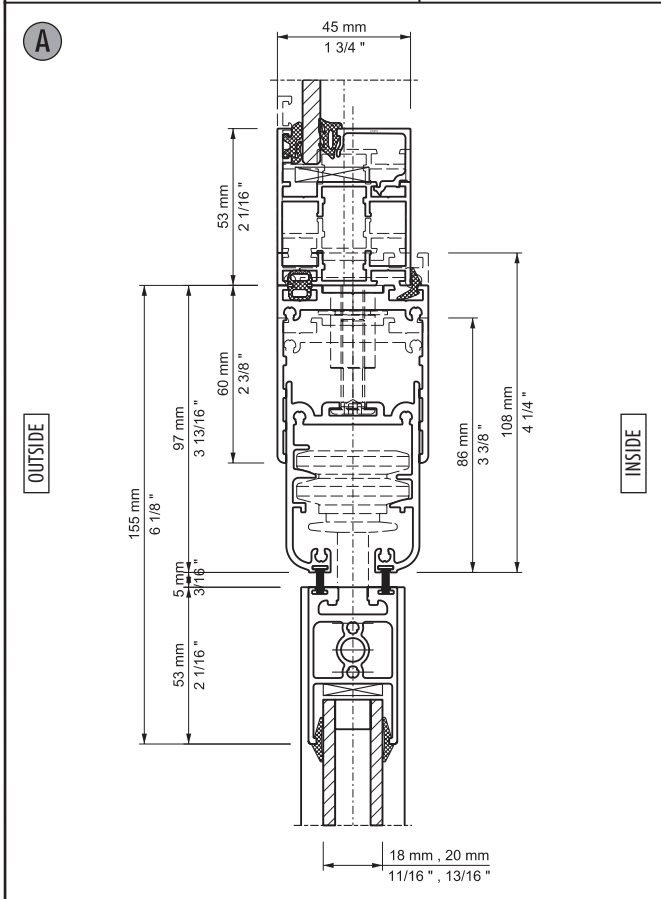
<p>Description: Vertical-Section, bottom track on balustrade connector</p>	<p>System: SF35 Detail-No.: SF35-009</p>	<p>Description: Vertical-Section, bottom track on balustrade and strengthening profile</p>	<p>System: SF35 Detail-No.: SF35-008</p>
<p>Description: Vertical-Section, top track</p>	<p>System: SF35 Detail-No.: SF35-001</p>	<p>Description: Vertical-Section, top track with height compensations profile</p>	<p>System: SF35 Detail-No.: SF35-002</p>



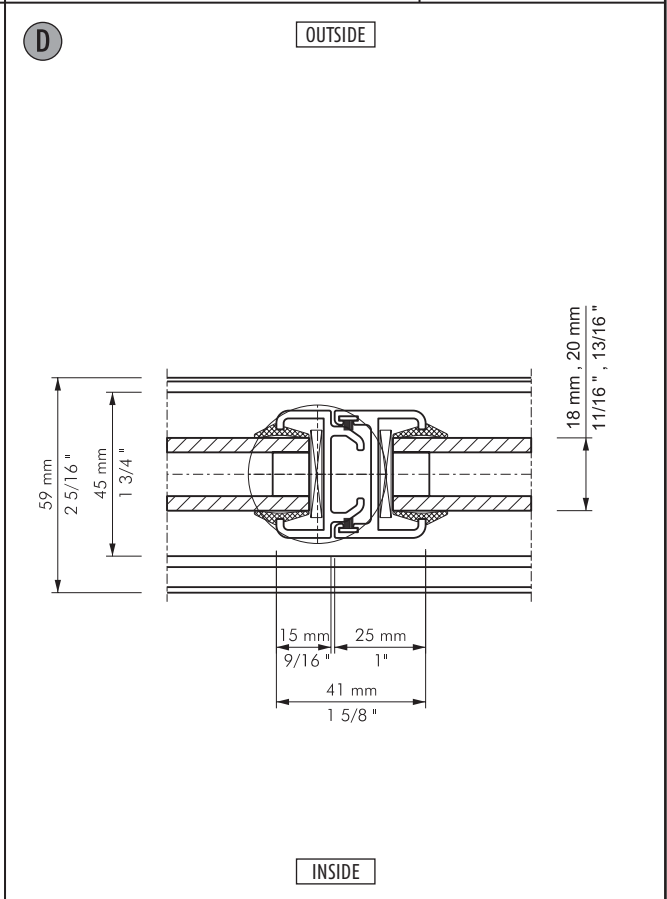
Description: Vertical-Section, height compensations profile with flange - horizontal
 System: SF35
 Detail-No.: SF35-005



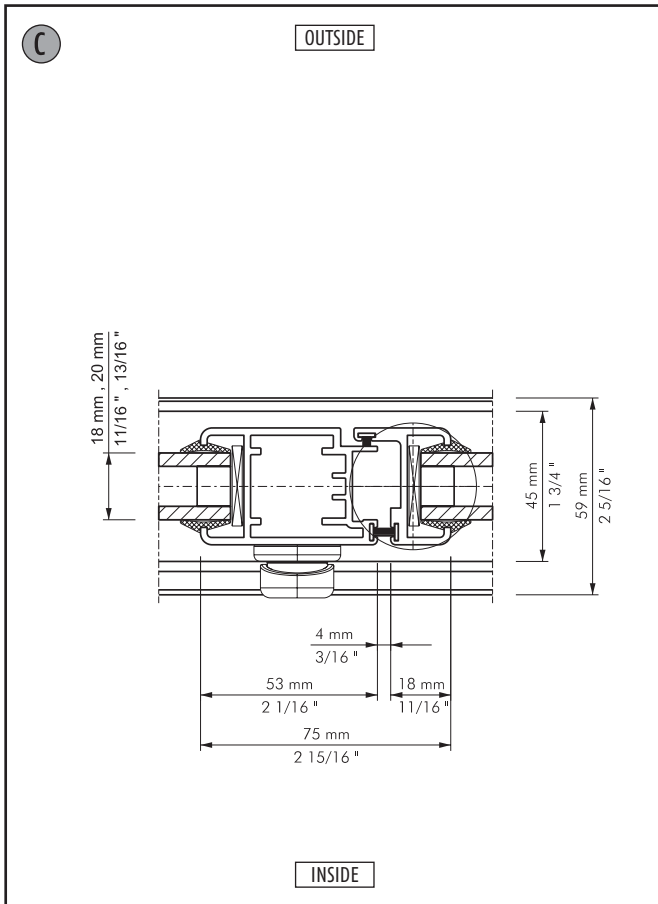
Description: Vertical-Section, height compensations profile with flange - vertical
 System: SF35
 Detail-No.: SF35-006



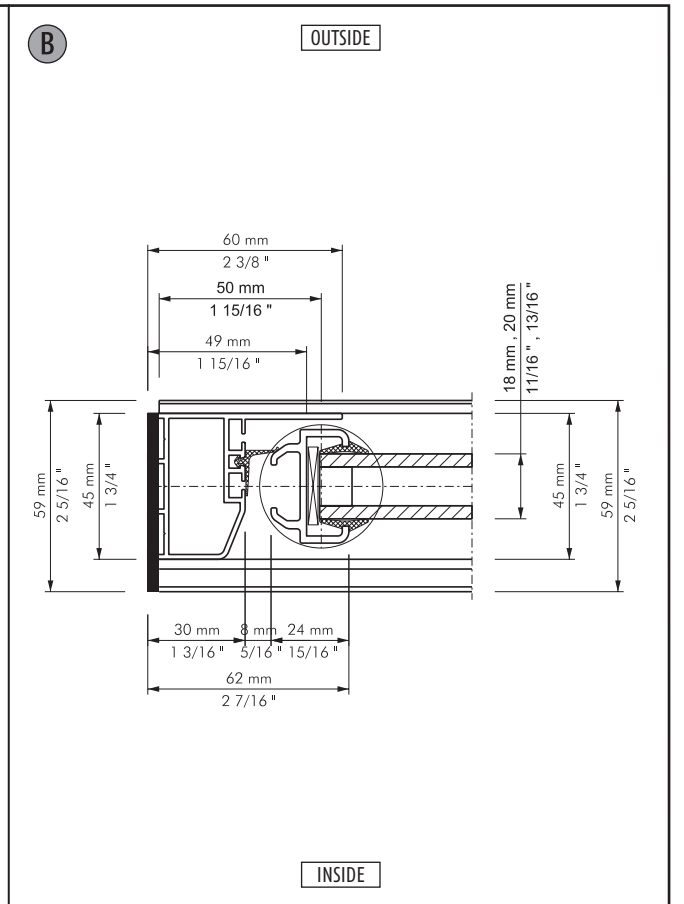
Description: Vertical-Section, overhead light connection with height compensation profile
 System: SF35
 Detail-No.: SF35-007



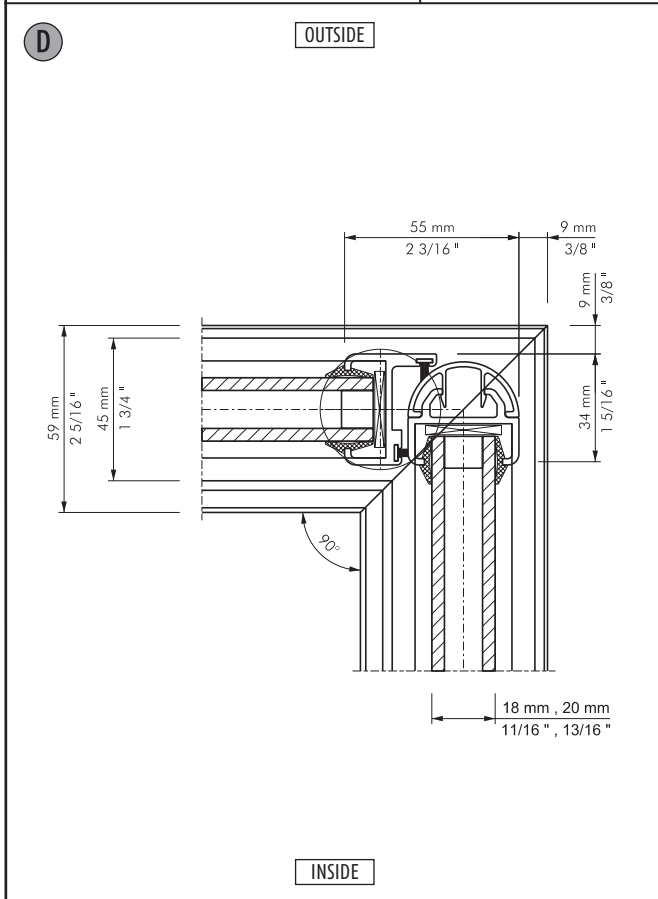
Description: Horizontal-Section, panel - panel
 System: SF35
 Detail-No.: SF35-101



Description: Horizontal-Section, turn panel - slide panel	System: SF35
	Detail-No.: SF35-102



Description: Horizontal-Section, sidewise wall connection	System: SF35
	Detail-No.: SF35-103



Description: Horizontal-Section, panel - panel 90°- bending	System: SF35
	Detail-No.: SF35-104

