

Profile system

- Standing slide and turn system
- Non-thermally insulated aluminum profiles with tempered safety glass
- The flush bottom track is particularly suitable for use in „Barrier-free dwellings“ according to DIN 18 025
- Panels can be stacked open either internally or externally
- Opening of panels by sliding to one side or to both sides
- Height variations can be compensated by a height compensation profile

Fittings

- All fittings are concealed within the profiles
- Low-maintenance, non-corroding and failsafe fittings
- Inside and/or outside locking and unlocking possible
- Locking and unlocking via turning knob
- Optionally with lever lock (“child-proof”)

Running assembly

- The running assemblies consist of four vertically arranged rollers
- Low-noise, low-wear, heat and cold resistant running surfaces
- Running assemblies pivot at any angle between 90° and 180°

Sealing and ventilation

- Tongue and groove system between the panels
- Brush seals are used horizontally at the top and bottom, at the inside and outside
- Lower and upper brush gaskets are attached to the panel frames and not to the guide track

Glazing

- 10, and 12 mm tempered safety glass panes (ESG-H)
- Panes width of up to 15 mm is possible
- Panes secured via concealed screw-fixing system in top and bottom panel profiles
- Subsequent replacement of panes without difficulty
- Subsequent replacement of panels without difficulty

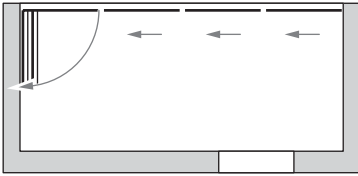
Drainage

- Unpressurised drainage via inclined floor construction
- Integrated water drainage channel on inside of bottom track
- End-caps for lateral sealing of bottom track



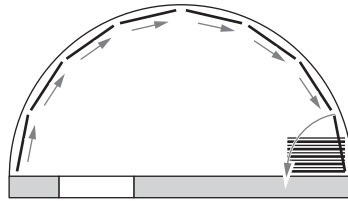
tested SUNFLEX quality

Straight Systems

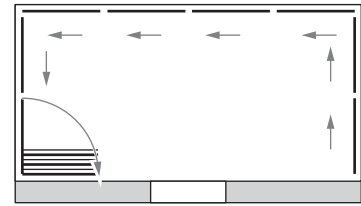


more special Systems on request

Segmented Systems



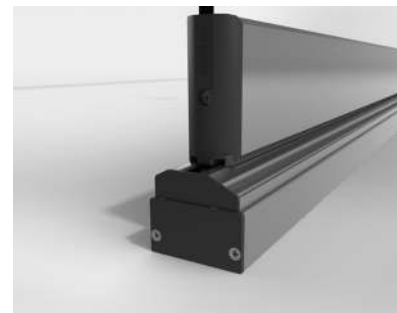
Angle Solutions 90°-180°



Height compensation profile allows a height adjustment of +/- 5 mm



Additional stability through tongue and groove joint between the end caps



Adjustable profile end cap for height compensation profile and bottom track



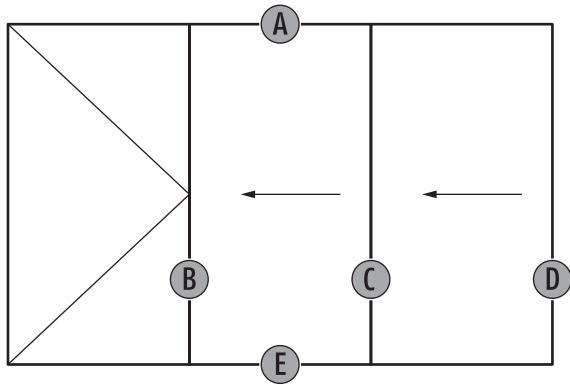
Optimal panel guidance without guide arm when opening and closing



Solid metal-reinforced locking slide for increased resistance to wind load

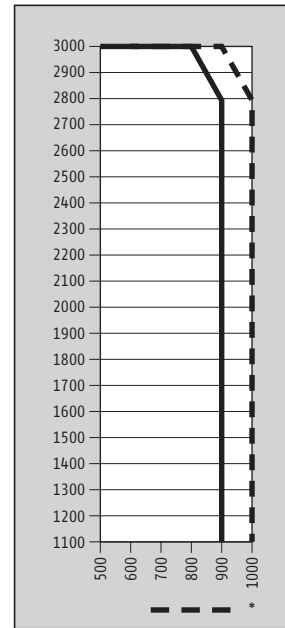


Turn knob



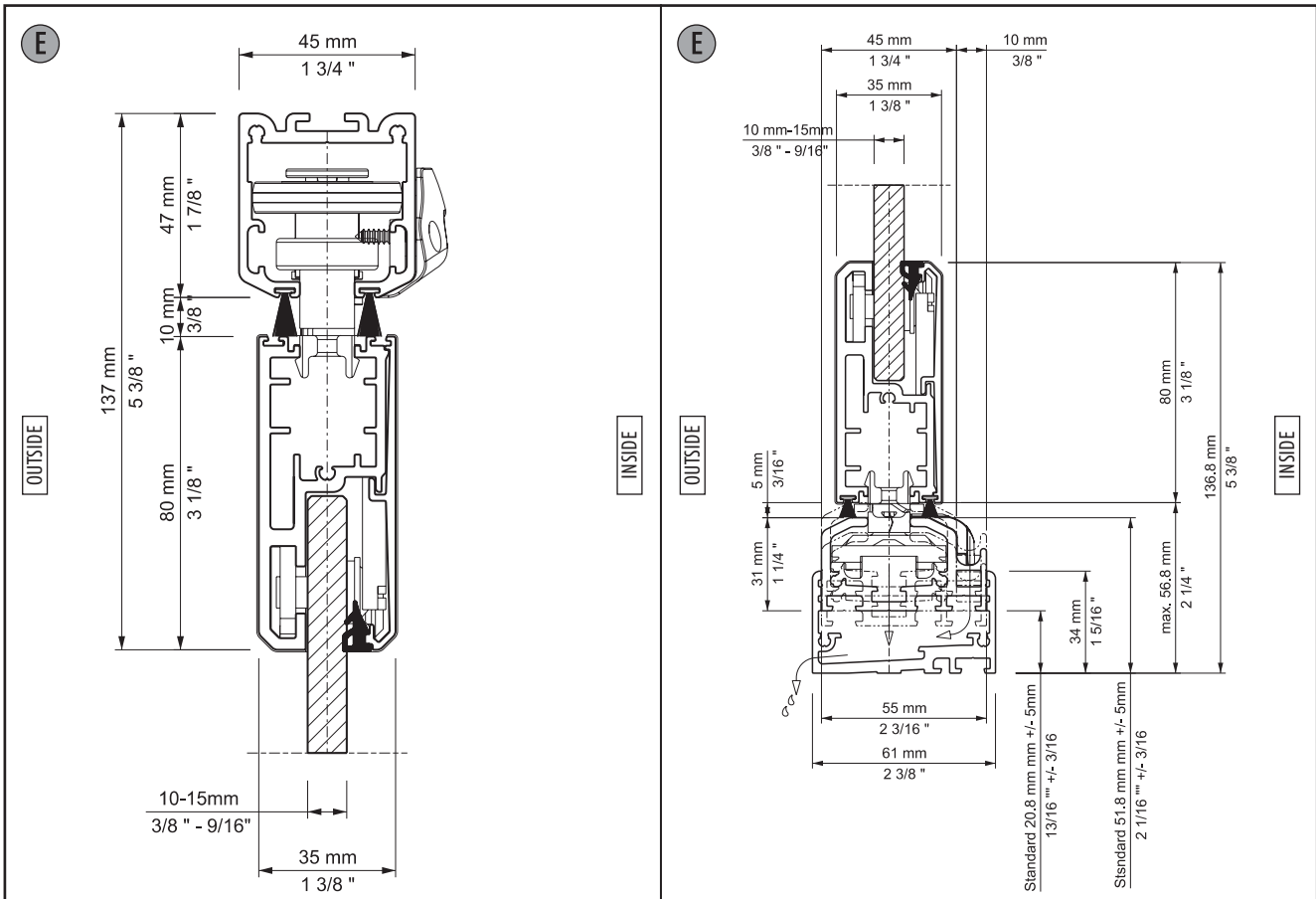
Details at uneven panel partitioning in one direction

Panel size diagram

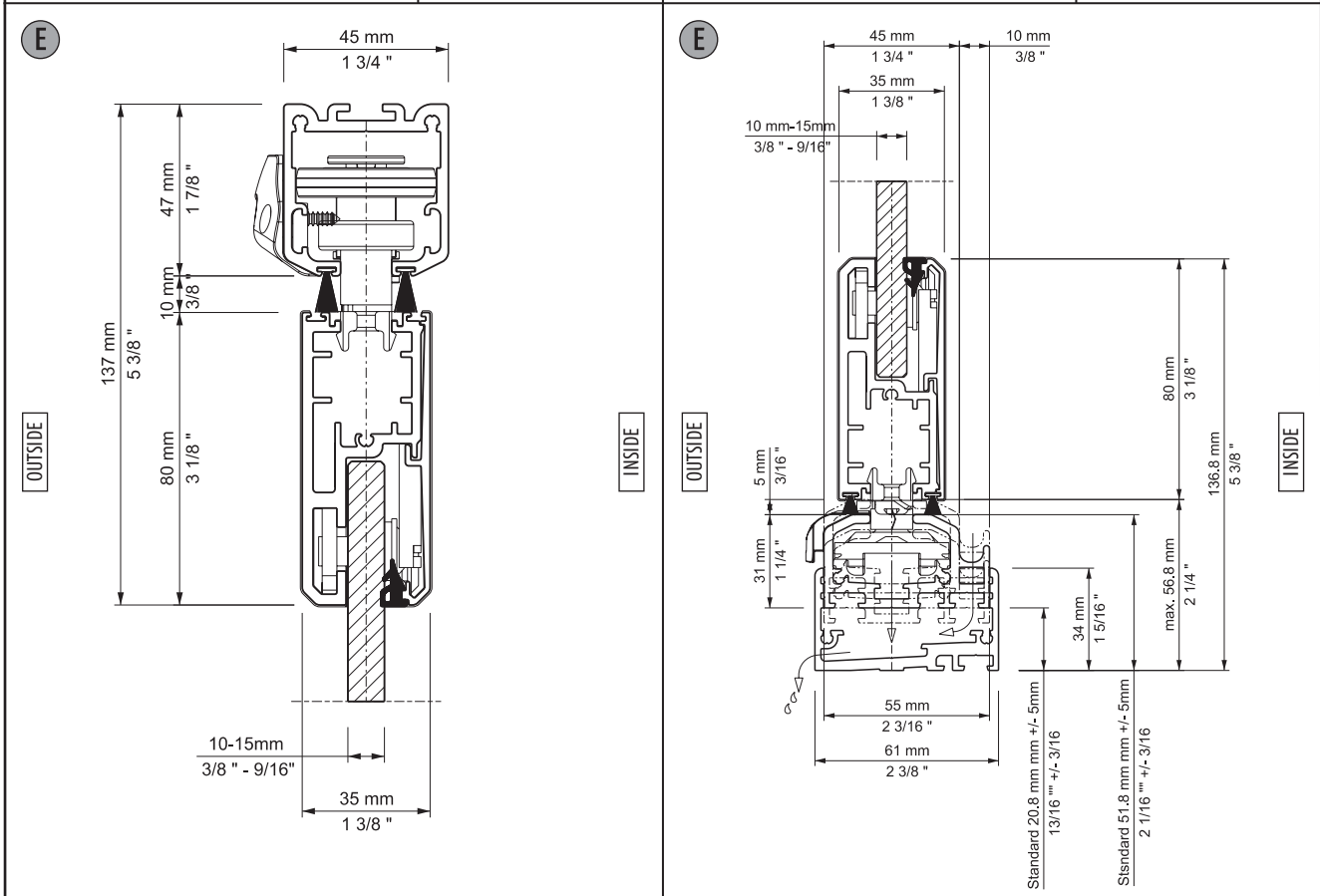


* Other sizes in preparation

Ref.	Section	Description	Page
E	SF30-001	Vertical-Section, top track inside folding	4
E	SF30-003	Vertical-Section, bottom track inside folding	4
E	SF30-002	Vertical-Section, top track outside folding	4
E	SF30-004	Vertical-Section, bottom track outside folding	4
C	SF30-101	Horizontal-Section, sidewise wall junction	5
C	SF30-101a	Horizontal-Section, sidewise wall junction	5
C	SF30-101b	Horizontal-Section, sidewise wall junction	5
C	SF30-104	Horizontal-Section, panel-panel 90°-bending	5
B	SF30-102	Horizontal-Section, panel - panel	6
B	SF30-102b	Horizontal-Section, turn panel - slide panel	6

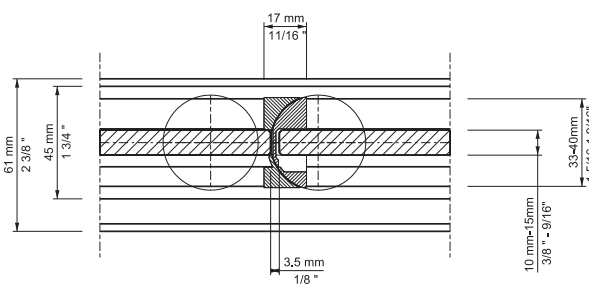
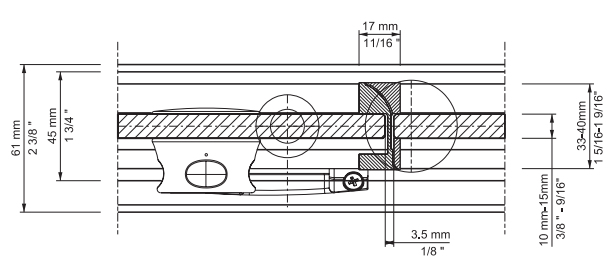


Description: Vertical-Section, top track inside folding	System: SF30	Description: Vertical-Section, bottom track inside folding	System: SF30
	Detail-No.: SF30-001		Detail-No.: SF30-003



Description: Vertical-Section, top track outside folding	System: SF30	Description: Vertical-Section, bottom track outside folding	System: SF30
	Detail-No.: SF30-002		Detail-No.: SF30-004

<p>C OUTSIDE</p> <p>INSIDE</p>	<p>D OUTSIDE</p> <p>INSIDE</p>		
<p>Description: Horizontal-Section, sidewise wall junction</p>	<p>System: SF30 Detail-No.: SF30-101</p>	<p>Description: Horizontal-Section, sidewise wall junction</p>	<p>System: SF30 Detail-No.: SF30-102</p>
<p>C OUTSIDE</p> <p>INSIDE</p>	<p>C OUTSIDE</p> <p>INSIDE</p>		
<p>Description: Horizontal-Section, panel - panel</p>	<p>System: SF30 Detail-No.: SF30-101b</p>	<p>Description: Horizontal-Section, panel-panel 90°-bending</p>	<p>System: SF30 Detail-No.: SF30-104</p>

<p>B OUTSIDE</p>  <p style="text-align: center;">INSIDE</p>		<p>B OUTSIDE</p>  <p style="text-align: center;">INSIDE</p>	
<p>Description: Horizontal-Section, panel - panel</p>	<p>System: SF30 Detail-No.: SF30-102</p>	<p>Description: Horizontal-Section, turn panel - side panel</p>	<p>System: SF30 Detail-No.: SF30-102a</p>