

Profile system

- Frameless all-glass slide and turn system
- Option of flush or weathered bottom track
- Optionally with lateral aluminium panel profiles to close the ventilation gap
- The flush bottom track is particularly suitable for use in „Barrier-free dwellings“ according to DIN 18 025
- Panels can be stacked open either internally or externally
- Opening of panels by sliding to one side or to both sides
- Optionally with or without lateral vertical frame profiles
- Height variations can be compensated by a height compensation profile

Tests

- Airborne sound insulation $R_w = 22$ dB according to DIN EN ISO 140-3
- Airborne sound insulation $R_w = 34$ dB according to DIN EN ISO 140-3, with PVC gap gasket
- Airborne sound insulation $R_w = 34$ dB according to DIN EN ISO 140-3, with lateral aluminium panel profiles
- Measurement of deflection class 3 according to DIN EN 12211/12210 (8, 10 mm glass)
- Measurement of deflection class 4 according to DIN EN 12211/12210 (8, 10 mm glass), with lateral alu. panel profiles
- Repeated pressure/wind suction class 3 according to DIN EN 12211/12210 (8, 10 mm glass)
- Repeated pressure/wind suction class 4 according to DIN EN 12211/12210 (8, 10 mm Glas), with lateral alu. panel profiles
- Safety test class 3 according to DIN EN 12211/12210 (8, 10 mm glass)
- Safety test class 4 according to DIN EN 12211/12210 (8, 10 mm Glas), with lateral aluminium panel profiles

Fittings

- All fittings are concealed within the profiles
- Low-maintenance, non-corroding and failsafe fittings
- Inside and/or outside locking and unlocking possible
- Locking and unlocking via pull rod or turning knob
- Optionally with lever lock („child-proof“)

Running assembly

- Top running, low-maintenance horizontal running assemblies, each equipped with two rollers
- The running assemblies feature each three smooth-running needle bearings and two carbon fibre reinforced polyamide rollers
- Running assemblies out of stainless steel metal components
- Low-noise, low-wear, heat and cold resistant running surfaces
- Running assemblies pivot at any angle between 90° and 180°

Sealing and ventilation

- Ventilation gap of approximately 1-4 mm
- Optionally with transparent PVC-gap gasket to close the ventilation gap
- Optionally with aluminium profiles to close the ventilation gap
- Brush gaskets are fitted horizontally at the top and bottom on the inside and outside
- Lower and upper brush gaskets are attached to the panel frames and not to the bottom track

Glazing

- 6, 8, 10 and 12 mm tempered safety glass panes (ESG-H)
- Panes secured via concealed screw-fixing system in top and bottom panel profiles
- Subsequent replacement of panes without difficulty
- Subsequent replacement of panels without difficulty

Drainage

- Unpressurised drainage via inclined floor construction
- Integrated water drainage channel on inside of bottom track
- End-caps for lateral sealing of bottom track



tested SUNFLEX quality



Test Report 40-31/13
and Nr.40-32/13

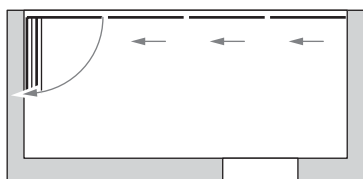
SG - Bauakustik

Institut für schalltechnische Produktzertifizierung

Test Report 1238-001-09
and 1238-002-09

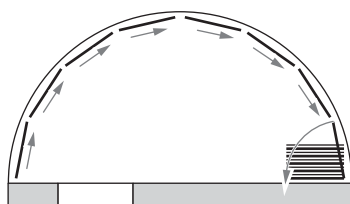


Straight Systems

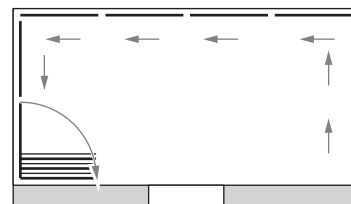


more special Systems on request

Segmented Systems



Angle Solutions 90°-180°



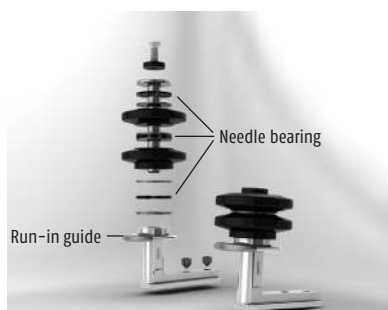
Standard



with PVC gap gasket



with lateral aluminium panel profiles



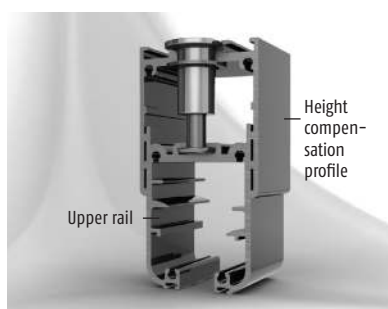
- Completely new, stainless carriage system
- Arched run-in guide



- New panel profile end caps for 6, 8 and 10 mm including pick-up for glass panel t-slot nut and cover clip fixing device
- Panel guidance for recessed floor rail



Turning knob



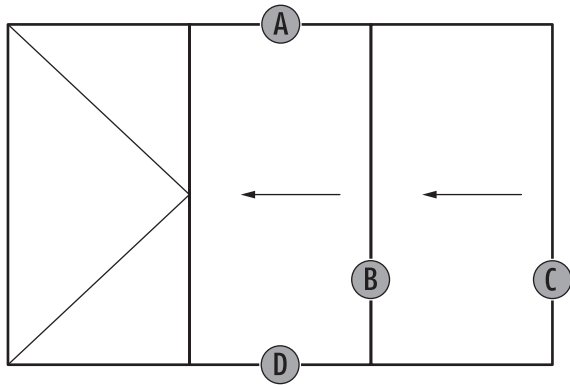
- Slightly arched running surfaces for carriage to improve running features
- Modified height compensation profile allows an adjustment of up to 22 mm



Carriage recess optionally available without guide arm but with covering flap

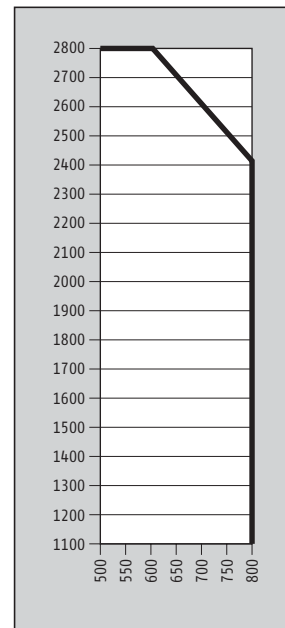


Optimal panel guidance without guide arm when opening and closing



Details at uneven panel partitioning in one direction

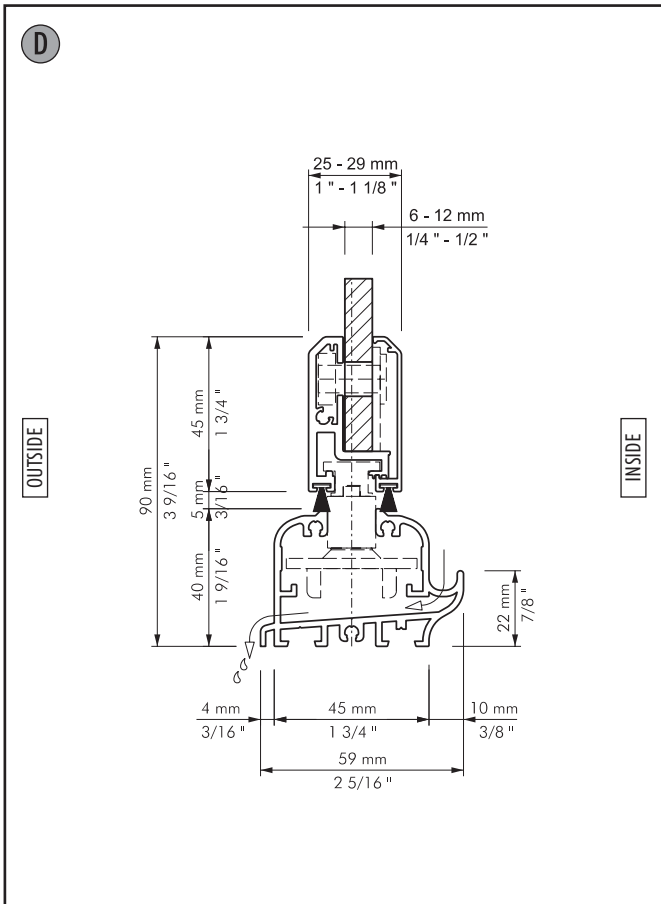
Panel size diagram



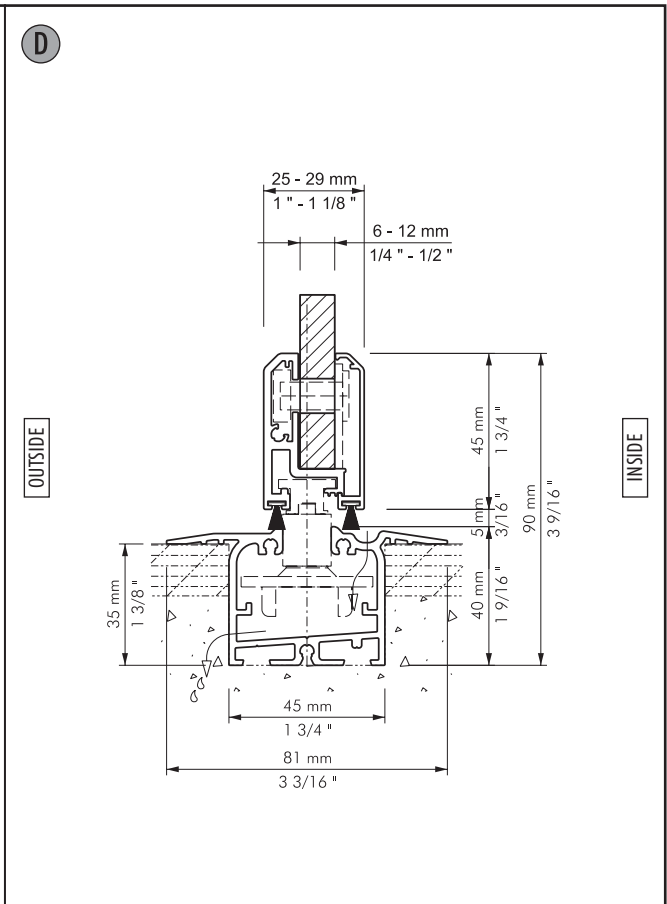
* For panel sizes exceeding 2600 mm – special inquiry

* Basis glazing 8 mm (25 kg/m²)

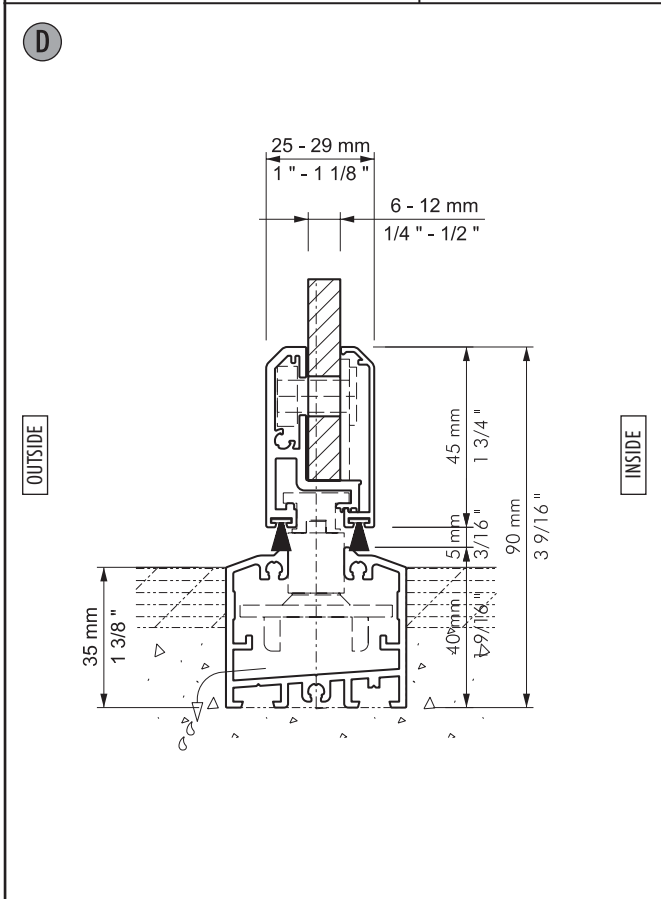
Ref.	Section	Description	Page
D	SF25-003	Vertical-Section, bottom track	4
D	SF25-006	Vertical-Section, flush bottom track	4
D	SF25-011	Vertical-Section, flush bottom track with support profile	4
D	SF25-010	Vertical-Section, bottom track	4
D	SF25-005	Vertical-Section, bottom track on balustrade	5
D	SF25-004	Vertical-Section, bottom track on balustrade and strengthening profile	5
A	SF25-001	Vertical-Section, top track	5
A	SF25-002	Vertical-Section, top track with height compensations profile	5
A	SF25-007	Vertical-Section, height compensation profile with flange - horizontal	6
A	SF25-008	Vertical-Section, overhead light connection with height compensation profile	6
A	SF25-009	Vertical-Section, height compensation profile with flange - vertical	6
C	SF25-101	Horizontal-Section, wall connection with rubber sealing profile	6
B	SF25-102	Horizontal-Section, panel - panel	7
B	SF25-103	Horizontal-Section, panel - panel 135°-bending	7
B	SF25-104	Horizontal-Section, panel - panel 90°-bending	7
C	SF25-105	Horizontal-Section, wall connection with profile	7
C	SF25-202	Horizontal-Section, sidewise wall connection, with lateral aluminium panel profiles	8
C	SF25-203	Horizontal-Section, panel - panel 90°-bending, with lateral aluminium panel profiles	8
B	SF25-201	Horizontal-Section, panel - panel, with lateral aluminium panel profiles	8
B	SF25-204	Horizontal-Section, turn panel - slide panel, with lateral aluminium panel profiles	8



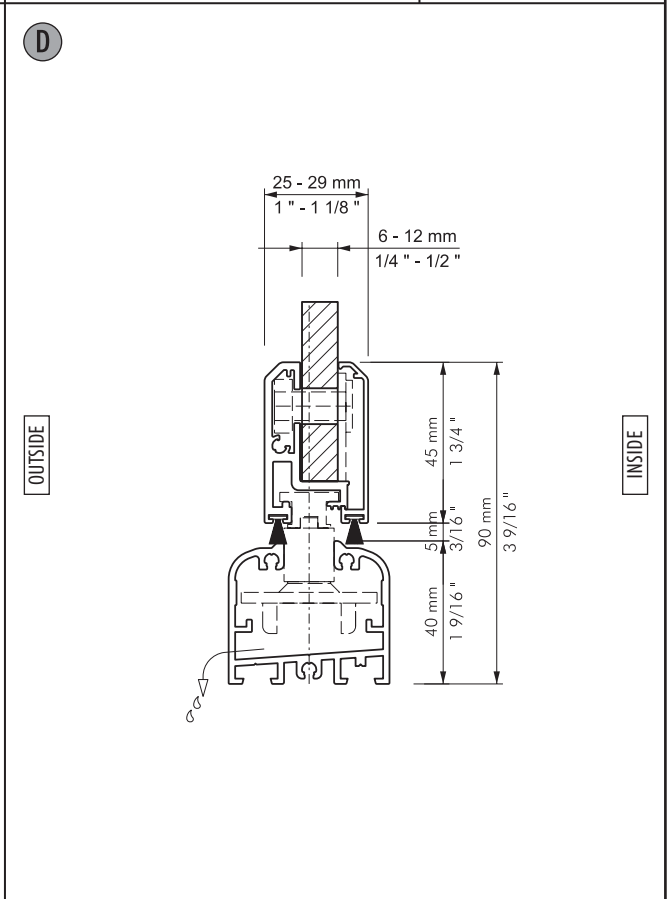
Description: Vertical-Section, bottom track	System: SF25
	Detail-No.: SF25-003



Description: Vertical-Section, flush bottom track	System: SF25
	Detail-No.: SF25-006

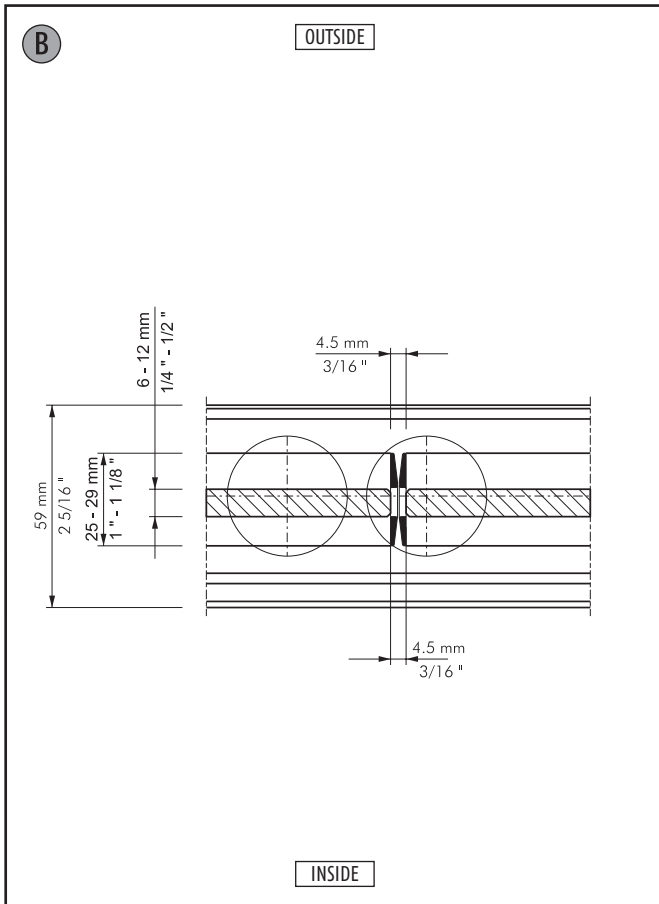


Description: Vertical-Section, flush bottom track with support profile	System: SF25
	Detail-No.: SF25-011

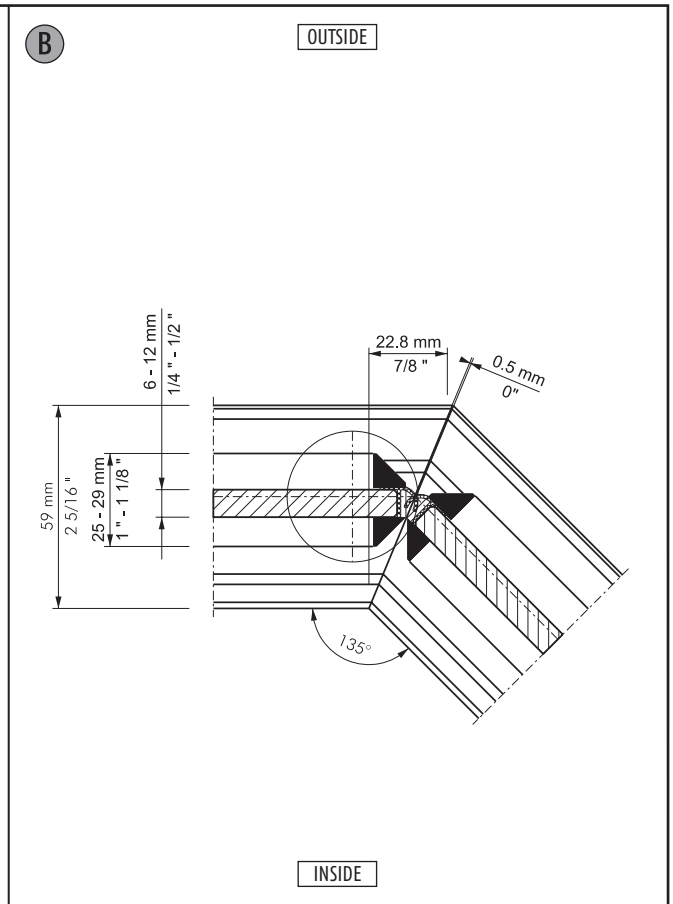


Description: Vertical-Section, flush bottom	System: SF25
	Detail-No.: SF25-010

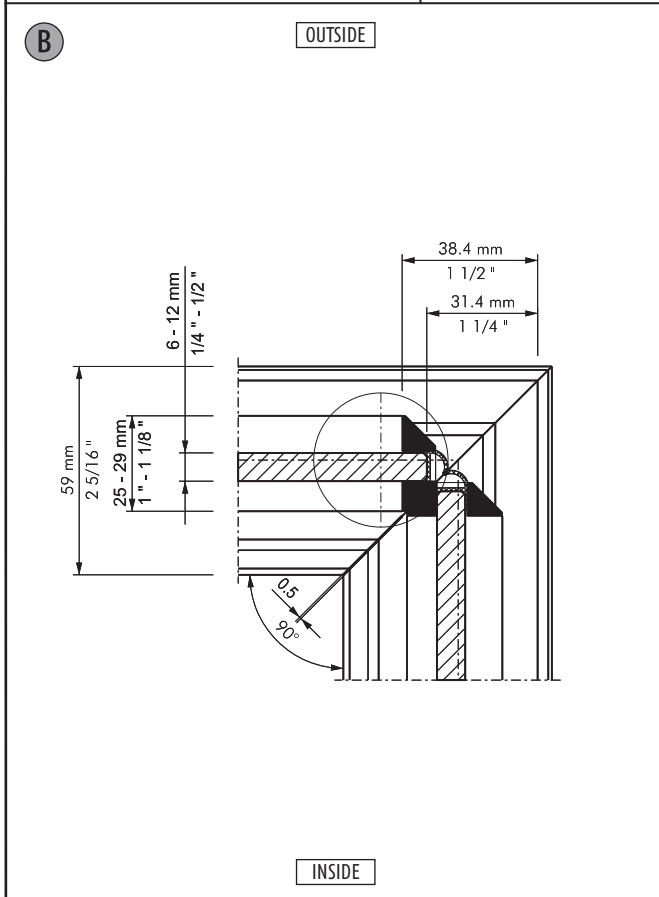
<p>D</p> <p>OUTSIDE</p> <p>143 mm 5 5/8\"/> <p>45 mm 1 3/4\"/> <p>53 mm 2 1/16\"/> <p>4 mm 3/16\"/> <p>10 mm 3/8\"/> <p>45 mm 1 3/4\"/> <p>6 - 12 mm 1/4\" - 1/2\"/> <p>25 - 29 mm 1\" - 1 1/8\"</p> </p></p></p></p></p></p></p>	<p>Description: Vertical-Section bottom track on balustrade</p> <p>System: SF25</p> <p>Detail-No.: SF25-005</p>	<p>D</p> <p>OUTSIDE</p> <p>143 mm 5 5/8\"/> <p>45 mm 1 3/4\"/> <p>53 mm 2 1/16\"/> <p>80 mm 3 1/8\"/> <p>28 mm 1 1/8\"/> <p>45 mm 1 3/4\"/> <p>6 - 12 mm 1/4\" - 1/2\"/> <p>25 - 29 mm 1\" - 1 1/8\"</p> </p></p></p></p></p></p></p>	<p>Description: Vertical-Section, bottom track on balustrade and strengthening profile</p> <p>System: SF25</p> <p>Detail-No.: SF25-004</p>
<p>A</p> <p>OUTSIDE</p> <p>114.5 mm 4 1/2\"/> <p>64.5 mm 2 9/16\"/> <p>45 mm 1 3/4\"/> <p>45 mm 1 3/4\"/> <p>6 - 12 mm 1/4\" - 1/2\"/> <p>25 - 29 mm 1\" - 1 1/8\"</p> </p></p></p></p></p>	<p>Description: Vertical-Section, top track</p> <p>System: SF25</p> <p>Detail-No.: SF25-001</p>	<p>A</p> <p>OUTSIDE</p> <p>147 mm 5 13/16\"/> <p>97 mm 3 13/16\"/> <p>60 mm 2 3/8\"/> <p>86 mm 3 3/8\"/> <p>108 mm 4 1/4\"/> <p>51 mm 2\"/> <p>45 mm 1 3/4\"/> <p>6 - 12 mm 1/4\" - 1/2\"/> <p>25 - 29 mm 1\" - 1 1/8\"</p> </p></p></p></p></p></p></p></p>	<p>Description: Vertical-Section, top track with height compensations profile</p> <p>System: SF25</p> <p>Detail-No.: SF25-002</p>



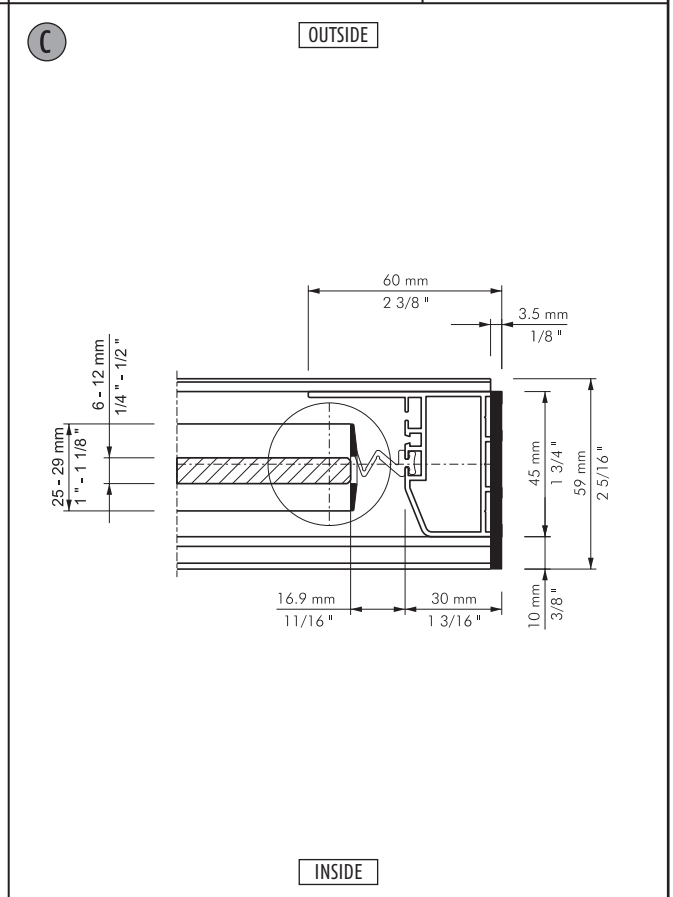
Description: Horizontal-Section panel - panel	System: SF25
	Detail-No.: SF25-102



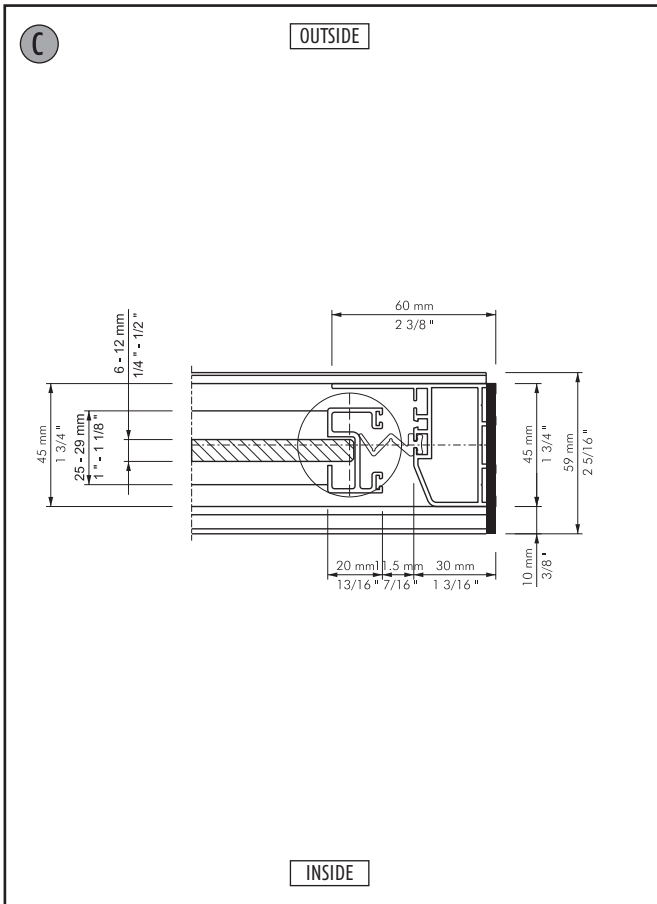
Description: Horizontal-Section panel - panel 135°-bending	System: SF25
	Detail-No.: SF25-103



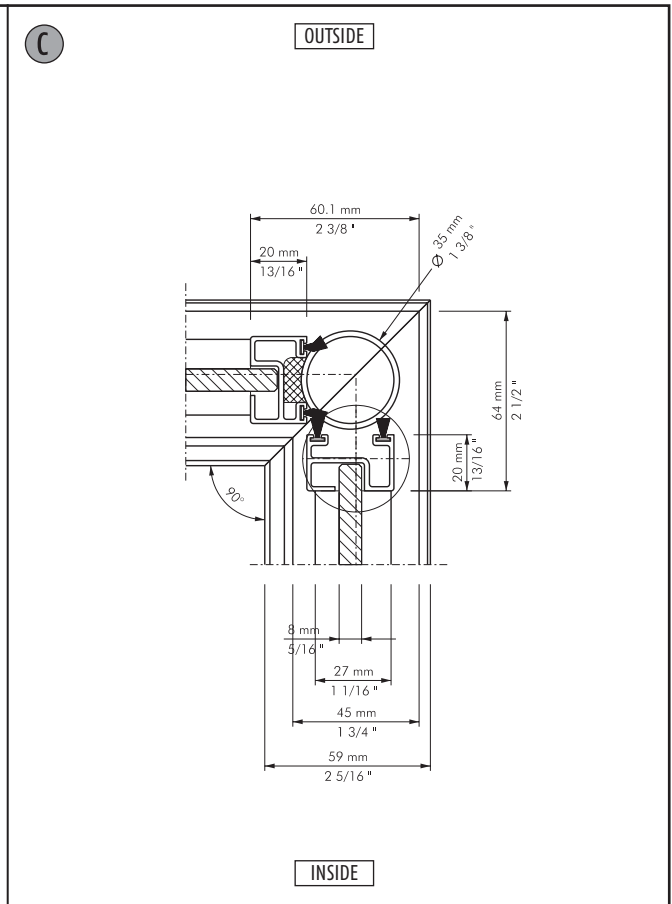
Description: Horizontal-Section panel - panel 90°-bending	System: SF25
	Detail-No.: SF25-104



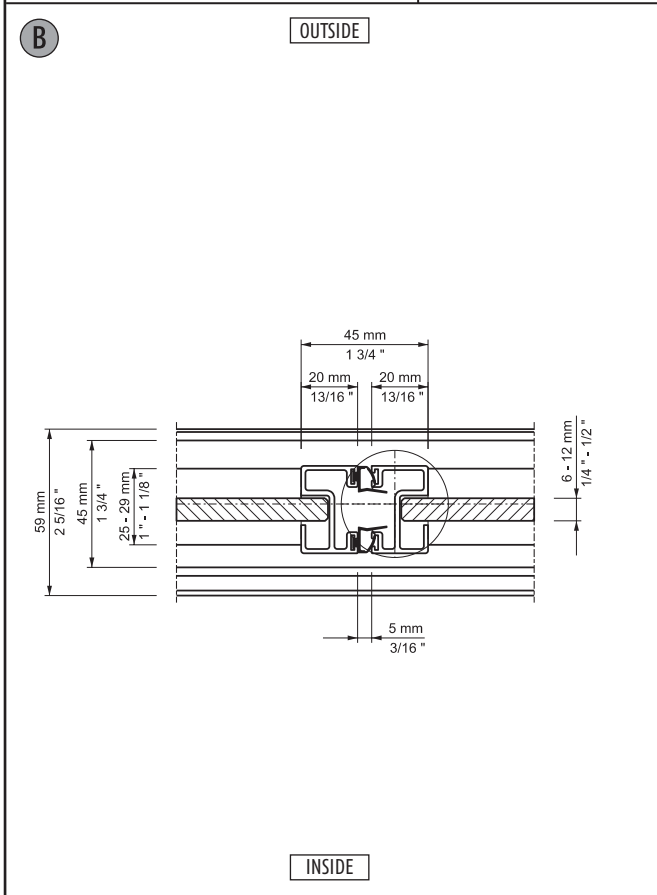
Description: Horizontal-Section wall connection with profile	System: SF25
	Detail-No.: SF25-105



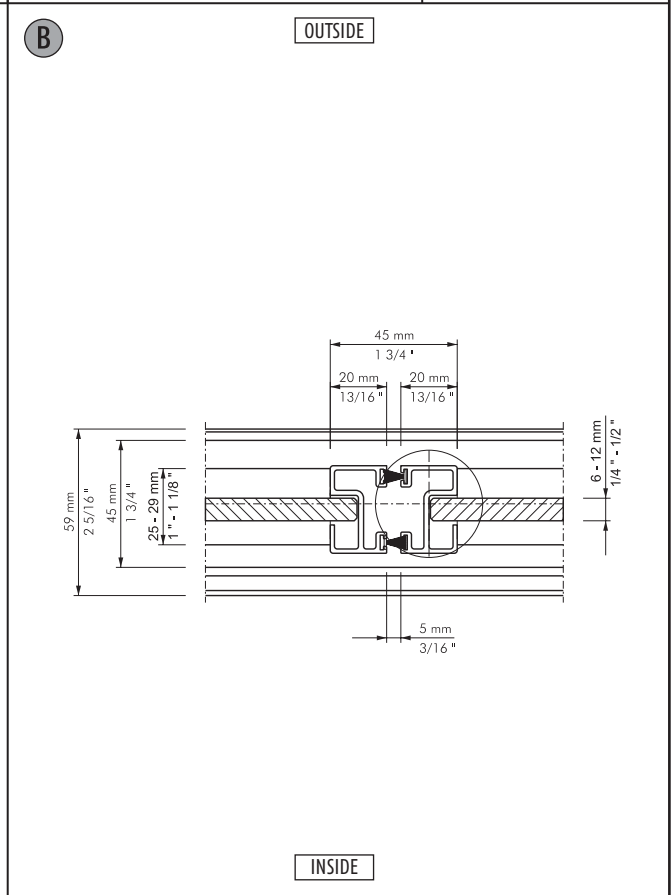
Description: Horizontal-Section, sidewise wall connection, with lateral aluminium panel profiles	System: SF25
	Detail-Nr.: SF25-202



Description: Horizontal-Section, panel - panel 90°-bending, with lateral aluminium panel profiles	System: SF25
	Detail-Nr.: SF25-203



Description: Horizontal-Section, panel - panel, with lateral aluminium panel profiles	System: SF25
	Detail-Nr.: SF25-201



Description: Horizontal-Section, turn panel - slide panel, with lateral aluminium panel profiles	System: SF25
	Detail-Nr.: SF25-204