



Premium quality  
Made in Germany



# Paravento



Contents

Product highlights	4	Cross-sections	12
Awning fabrics	8	Cross sections and dimensions	13
Frame colours	9	Mounting options	14
Technical details	10		



The stylish side awning Paravento protects against inquisitive glances, sunlight and cool side winds. As a cost-effective solution, the lean but robust cassette can be mounted practically anywhere. The Paravento creates attractive highlights in combination with a state-of-the-art pattern from the weinor fabric collection. Special function fabrics provide privacy protection and allow an outside view during the day. Therefore, the Paravento is a flexible and elegant alternative to fixed elements such as fences, walls and hedges.

# Paravento highlights



47 frame colours  
and 9 trend colours



Elegant design,  
large range of fabrics



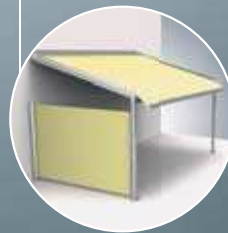
Simple installation



Stable construction



Perfect complement to  
existing products



# Product benefits in detail

The stylish side awning Paravento protects against inquisitive glances, sunlight and winds – as a textile designing element, it provides an attractive appearance



## Simple installation – for universal application

The Paravento can easily be fitted to any house wall or patio construction – both sideways or front. It can be mounted simply and quickly due to the corresponding attachments.

- attractive and cost-effective alternative to fences, hedges, walls etc.
- can be extended and retracted with one grip
- can be easily unhinged in winter and stored to save space



## For an attractive appearance: elegant design, large range of fabrics

When it is retracted, the entire technology is concealed completely in the aluminium cassette of the Paravento. With its lean dimensions of only 142 mm x 120 mm, the cassette adapts unobtrusively to any environment.

- elegant design
- extensive weinor fabric selection – also many seamless versions
- translucent and breathable climate-control fabrics Soltis® and Perluca
- 47 RAL frame colours as well as 9 trend colours



## Robust construction – the prerequisite for high fabric tension

The elegant appearance of the Paravento is based on the lean design and light construction style. Simultaneously, its robust construction makes it especially resilient – the fundamental prerequisite for optimum fabric tension.

- extruded aluminium profiles for high stability
- optimum fabric tension due to barrel arbor in the fabric roller
- high resistance to wind, wind-resistance class 2



## Perfect complement to existing products

It is not only in its function as side protection that the Paravento is an excellent complement to awnings, patio roofs and pergolas. It is also the perfect complement in frame colours and fabric patterns.

- colour matching is simple, even when retro fitted
- fabric can match the awning fitted above, or any other product
- trapezium shaped versions as complement to folding arms awnings



- standard
- optional
- unavailable

## An overview of Paravento

Paravento	
<b>Technology</b>	
Max. cassette height	250 cm
Max. projection length	400 cm, max. surface area of the fabric 8 m <sup>2</sup>
Cassette size (W x H)	142 x 120 mm
Grip bracket	1 piece; from cassette height 1,876 mm 2 piece
Installation options	wall mounting, different posts, angle bracket
<b>Frame colours</b>	
47 standard frame colours	●
More than 150 other RAL colours	○
9 trend colours	●
Other textured colours	○
<b>Fabrics</b>	
Fabric collection colours by weinor®	● with seam: all fabrics available; without seam: all uni-coloured fabrics available extra-wide
Soltis®	○ with seam: Soltis® 86, 92; without seam: Soltis® 86, 92, 93 available extra-wide
Perluca	○ without seam: all fabrics available extra-wide
<b>Options/accessories</b>	
Grip bracket in a handrail	○
Insertion post, 120 cm incl. ground sleeve	○
Screw-in post, 120 cm	○
Insertable corner post, 180 cm incl. ground sleeve	○
Screw-in corner post, 180 cm	○
Angle bracket for housing bracket	○
Angle bracket for grip bracket	○
<b>Quality</b>	
Tested up to	wind resistance class 2 in accordance with DIN EN 13561





## Fabrics – attractive, brilliant long-lasting colours

For an attractive awning you need a high-quality fabric. The 'colours by weinor®' collection and the Perluca climate-control fabrics provide a wide range.

- solution-dyed to make them colour-fast
- stay beautiful thanks to dirt- and water-repellant nanocoating
- optional: wide range of collections by other manufacturers



Fabric collections  
155 patterns

- high-quality acrylic
  - proven for decades
  - fabric width: 120 cm/240 cm
- innovative polyester quality
  - high-stretch with memory effect®
  - fabric width: 120 cm



Air-permeable acrylic  
fabrics, 5 patterns

- high-quality perforated acrylic
- translucent, breathable climate-control fabric
- fabric width: 120 cm/240 cm



High-tech climate-control fabrics  
10 patterns

- translucent, breathable climate-control fabric
- fabric width: 177 cm (Soltis® 86, 92)
- extra-wide: 267 cm (Soltis® 86, 92, 93)



## The Paravento fabric selection for seamless fabrics

All seamless fabrics from the current weinor fabric collection can be used for this version.

The structure of the textile runs vertically to the cassette.

in cm	Soltis® 86, 92	Soltis® 86, 92, 93	Acrylic		Perluca		WeiTex polyester
Fabric width	177	267	120	240	120	240	120
Height of system							
80* – 127.5	S	S	S	S	S	S	S
127.6 – 187.5	S	S	–	S	–	S	–
187.6 – 250	–	S	–	S	–	S	–

N seamless: fabric seamless  
– not producible



## The Paravento fabric selection for sewn fabrics

All fabrics from the current weinor fabric collection can be used for this version.

The structure of the textile runs crosswise to the cassette.

in cm	Acrylic	Perluca	WeiTex polyester
Fabric width	120	120	120
Height of system			
80* – 127.5	T	T	T
127.6 – 187.5	T	T	T
187.6 – 250	T	T	T

Q transverse seam: fabric with transverse seam; the seam runs crosswise to the dropping direction; the stripe pattern runs crosswise to the dropping direction

\* up to a cassette height of 112 cm, the projection length is max. 300 cm, from a cassette height of 112.1 cm the projection length is max. 400 cm





## Wide range of frame colours – abundance of choices

weinor coats all of its products in its own workshop. This ensures that they have the best-possible colour tonality and identical gloss levels.

- 47 standard RAL frame colours, silk gloss (gloss level  $70 \pm 5\%$  when measured at a  $60^\circ$  angle)
- 9 scratchproof, resistant trend colours with a textured look
- over 150 special RAL colours

### 47 standard frame colours

RAL 1002 Sandy yellow	RAL 1003 Signal yellow	RAL 1014 Ivory	RAL 1015 Light ivory	RAL 1023 Traffic yellow	RAL 1034 Pastel yellow	RAL 2000 Yellow orange	RAL 2002 Vermilion	RAL 2011 Deep orange
RAL 3002 Carmine red	RAL 3004 Magenta red	RAL 3007 Black red	RAL 4005 Blue lilac	RAL 4006 Traffic purple	RAL 5005 Signal blue	RAL 5009 Azure blue	RAL 5014 Pigeon blue	RAL 5021 Water blue
RAL 5022 Night blue	RAL 5024 Pastel blue	RAL 6005 Moss green	RAL 6009 Fir green	RAL 6011 Reseda green	RAL 6012 Black green	RAL 7015 Slate grey	RAL 7016 Anthracite grey	RAL 7021 Black grey
RAL 7030 Stone grey	RAL 7032 Pebble grey	RAL 7035 Light grey	RAL 7039 Quartz grey	RAL 7040 Window grey	weinor 7319 weinor grey	RAL 8001 Ochre brown	RAL 8003 Clay brown	RAL 8014 Sepia brown
RAL 8016 Mahogany brown	RAL 8017 Chocolate brown	RAL 8019 Grey brown	RAL 8022 Black brown	weinor 8077 weinor dark brown	RAL 9001 Cream	RAL 9005 Jet black	RAL 9006 White aluminium	RAL 9007 Grey aluminium
RAL 9010 Pure white	RAL 9016 Traffic white							

### 9 trend colours

WT 29/10797 Approx. RAL 9010	WT 29/50704 Approx. RAL 6009 metallic	WT 29/60740 Chestnut 04 metallic	WT 29/70786 Sparkling iron effect	WT 29/71289 Approx. RAL 7016	WT 29/80077 Approx. DB 703 metallic	WT 29/80081 Iron glimmer effect P7	WT 29/90146 Approx. RAL 9006 metallic	WT 29/90147 Approx. RAL 9007 metallic

weinor is an eco-friendly company. To ensure compliance with high environmental standards, manufacturing processes and materials undergo regular testing by experts.

As a result of the ban on the use of heavy metals in powder coatings, paint manufacturers can no longer guarantee colour stability despite making every effort to do so. It therefore cannot be excluded that colours in general, and Fire Red (RAL 3000) in particular, may fade with time. For technical reasons, the colours may appear significantly different when printed.



Handle and suspended grip bracket

## Handle and attached grip bracket – simple to attach and detach

After the drawing of the Paravento, the handle attached to the drop profile is suspended in the grip bracket. The grip bracket can be fitted to a

wall or a patio post. A screw in post can be fitted to the floor, or a post can be supplied with a ground sleeve so it can be buried for rigidity.



Handle and suspended grip bracket detailed view



Fabric tensioning via barrel arbor

## Your fabric is always taut – optimum tensioning via the barrel arbor

The barrel arbor integrated in the fabric roller bearing provides optimum fabric tensioning.

It is connected to one of the head plates via a square opening.



Paravento with screw-in tower

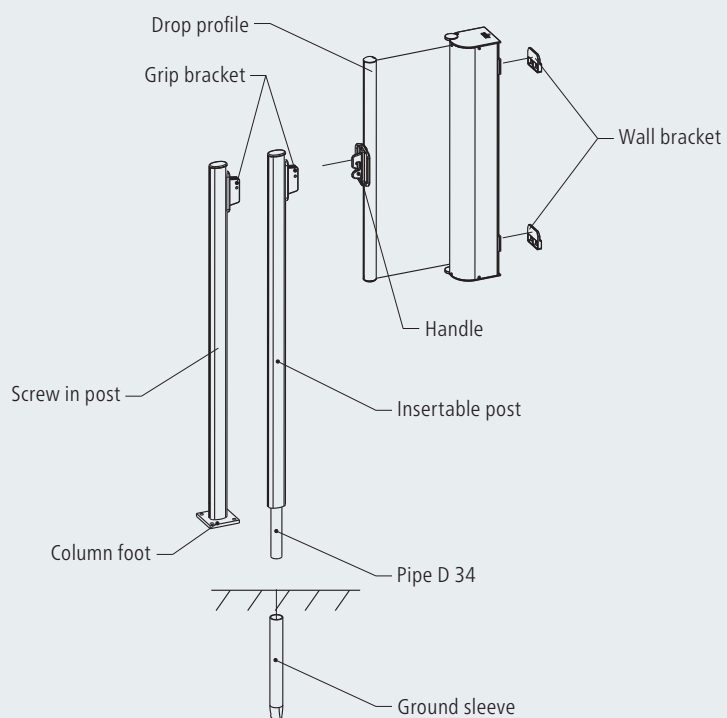
## The screw in and insertable post

After the projection of the Paravento, the grip bracket is fastened to a screw-in or insertion tower. The

screw-in tower can be screwed to the floor, the insertion tower can be concrete cast into the floor.



Paravento with insertable post



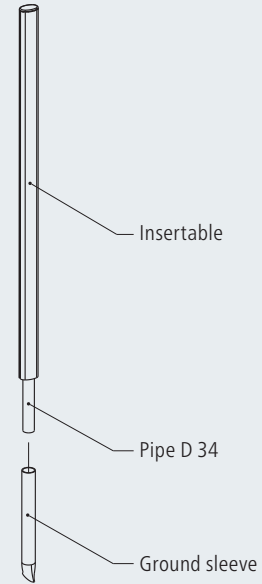
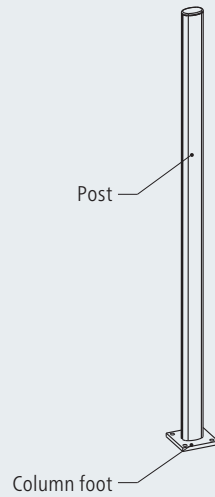


Paravento with corner post

## The corner post

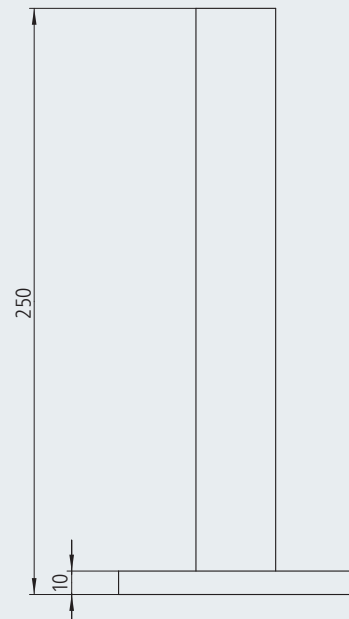
The fabric is guided over an angle via a corner post. For privacy protection on several sides. Both the screw-in and the insertable post can be used as a corner post. In this

case, a grip bracket is not included in the delivery. The corner post can be mounted to the floor or cast in concrete.

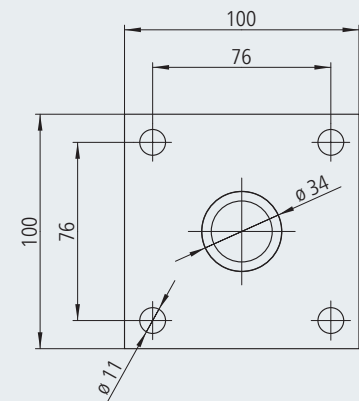


Base plate for the screw in post

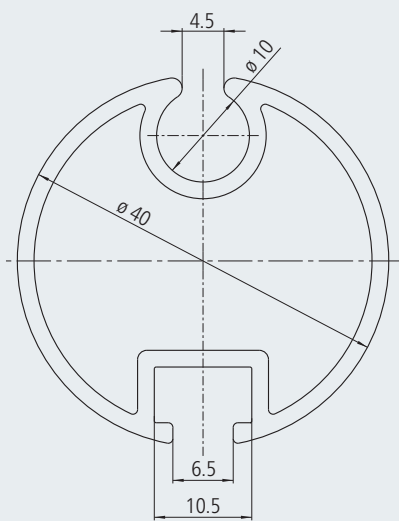
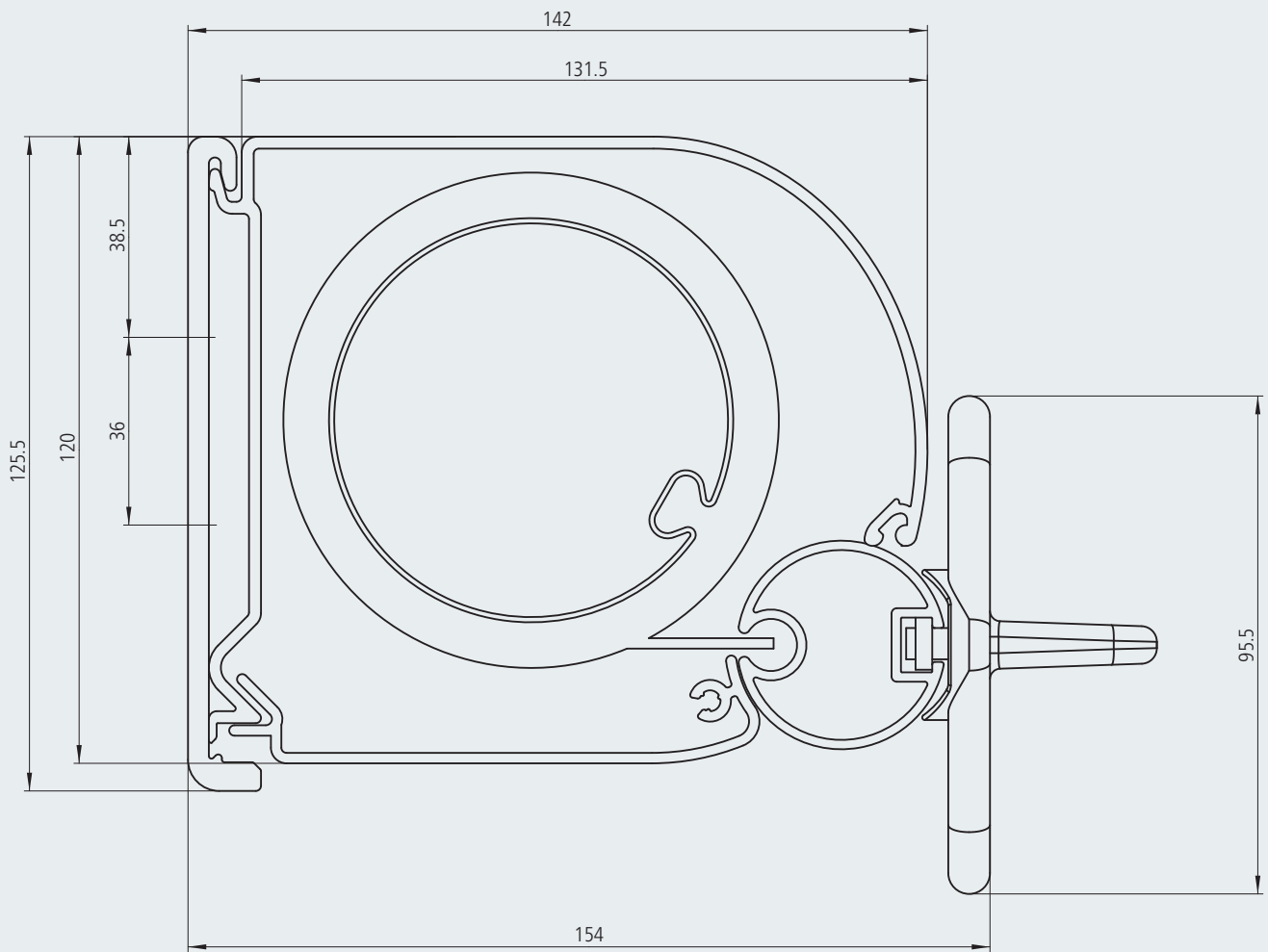
## The base plate



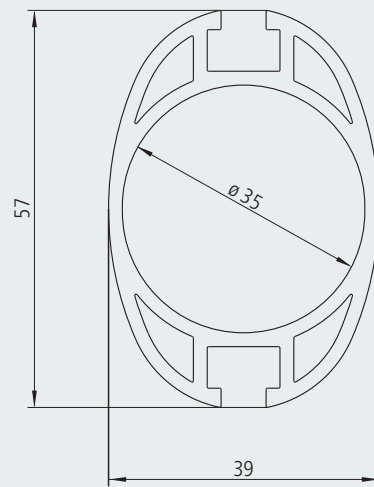
Base plate dimensions



## Cross sections of Paravento

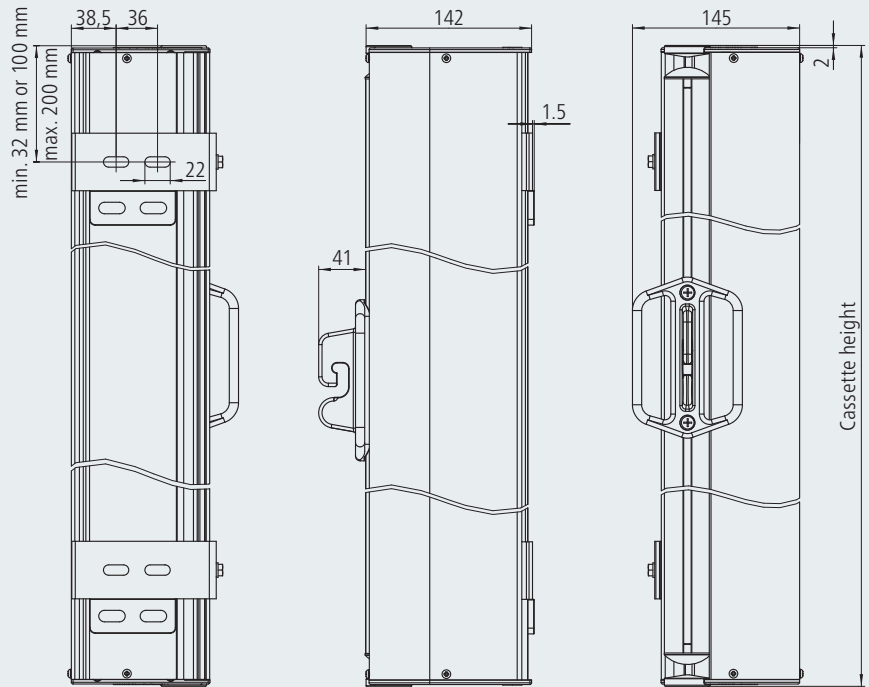


Cross section of drop profile



Cross section of post (all types of posts)

## Cassette dimensions



As seen from the back

As seen from the side

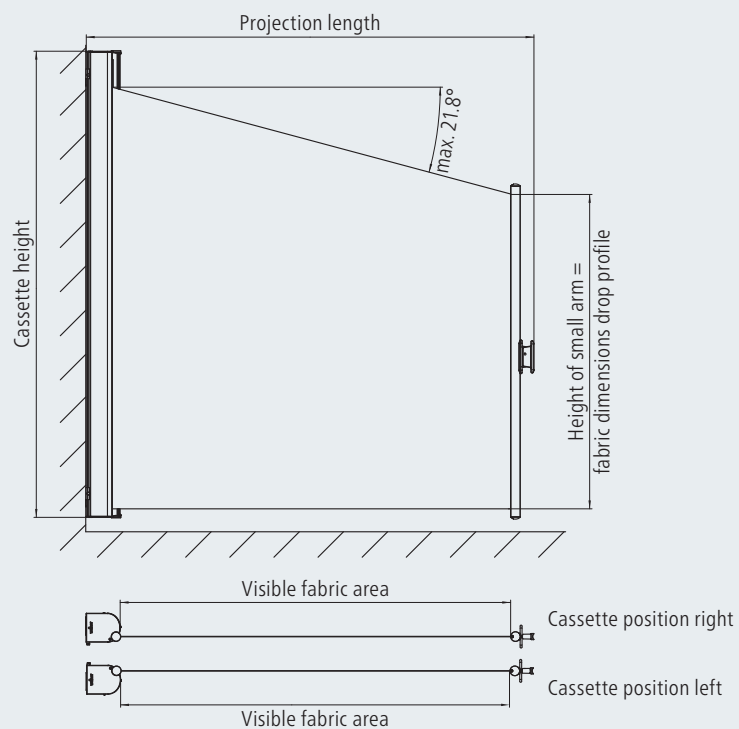
As seen from the front

## Paravento with trapezium shaped fabric



The Paravento with trapezium shaped fabric is the ideal complement to a weinor folding arm awning, for example. As its shape corresponds to the angle of inclination of the awning, it creates a well-protected

area with this combination – for additional side protection from inquisitive neighbours, low-lying sun and cool side winds. The Perluca fabric is not available for this Paravento version.



## Installation with housing bracket

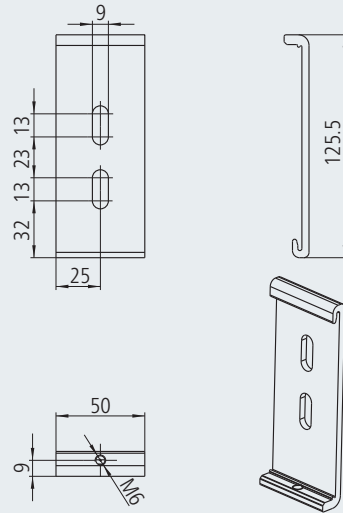


Housing brackets



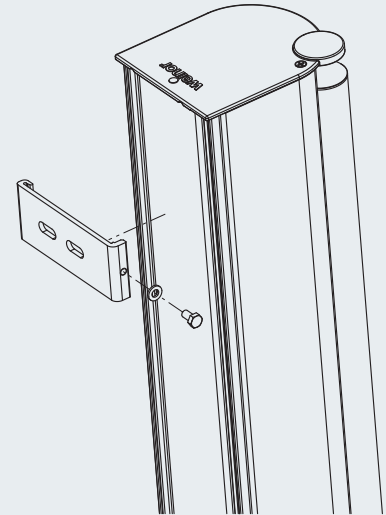
Installed housing bracket

For this mounting option, the cassette is pivoted into the housing bracket and fastened with safety screws. The cassette is then securely



Version 1

mounted. Two housing brackets are sufficient to mount the Paravento directly to the house wall.



Installation with housing bracket

## Installation with wall and housing bracket



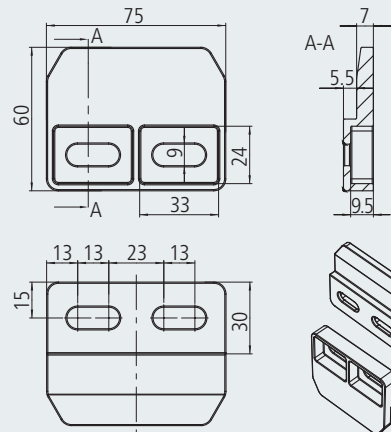
Wall bracket



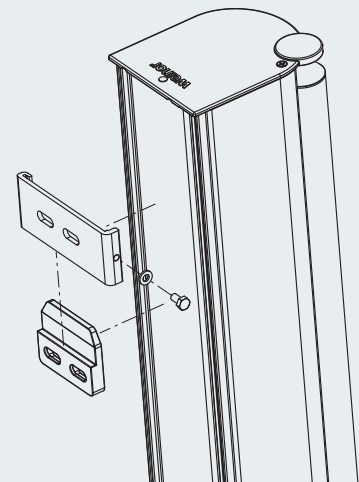
Wall bracket with installed housing bracket

For this mounting option, the wall bracket is mounted to the wall and the housing bracket to the cassette. The cassette is attached to the wall

bracket and, in this way, can be removed at any time. The side awning Paravento can be mounted either on the left or on the right.

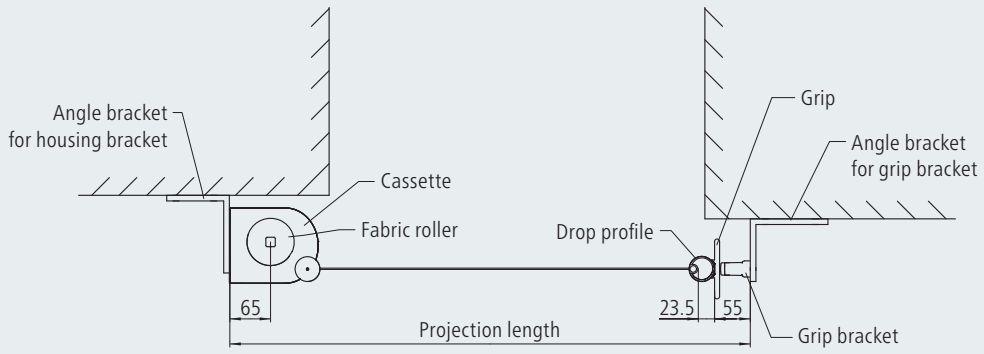


Version 2

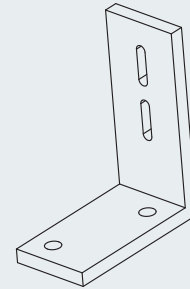
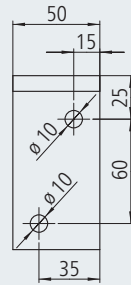
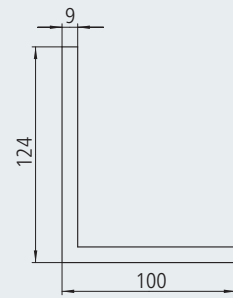
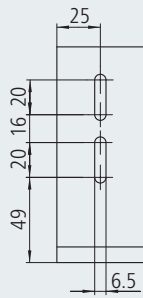


Installation with wall and housing bracket

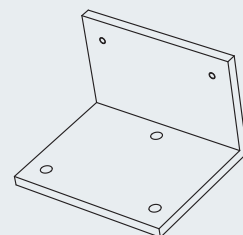
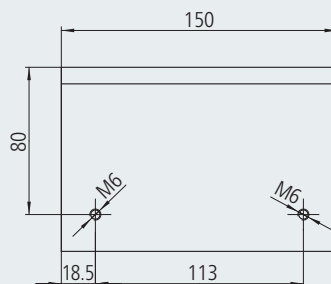
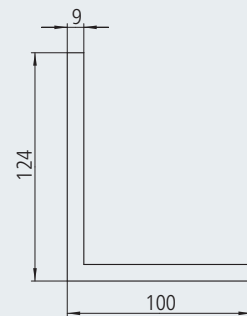
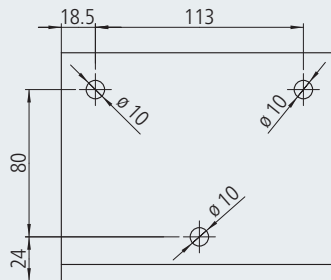
# Angle bracket



Angle bracket for housing bracket



Angle bracket for grip bracket



Awnings



Awning



Awning with Valance Plus and Tempura



Awning with Valance Plus and Paravento



Premium quality  
Made in Germany

Textile awning with posts



PergoTex II and Tempura



Textile patio roof Plaza Home and Paravento

Customised, systemised solutions

Patio roof and Glasoase®



Glasoase® with conservatory awning and all-glass elements



Patio roof with SUPER LITE fixed glazing



Terrazza patio roof with Sottezza sun protection



Plaza Pro textile patio roof with Paravento and VertiTex

Patent no			
EP1310609	1541776	EP0916781	0994221
1403442	2072709	EP0959195	1206609
1382770	0745742	EP0942114	1099808

Last revised: 06/2015

The current issue can be found at [www.weinor.de/fachpartner/service/downloadcenter](http://www.weinor.de/fachpartner/service/downloadcenter)



117092