

MC BS2

MC BS2

Art.-no.: 01078020



Art.-no.:
01078020

BUS motor control for controlling and individual operating of 2 sunshade devices.

Installation and Operating Instructions

Short description

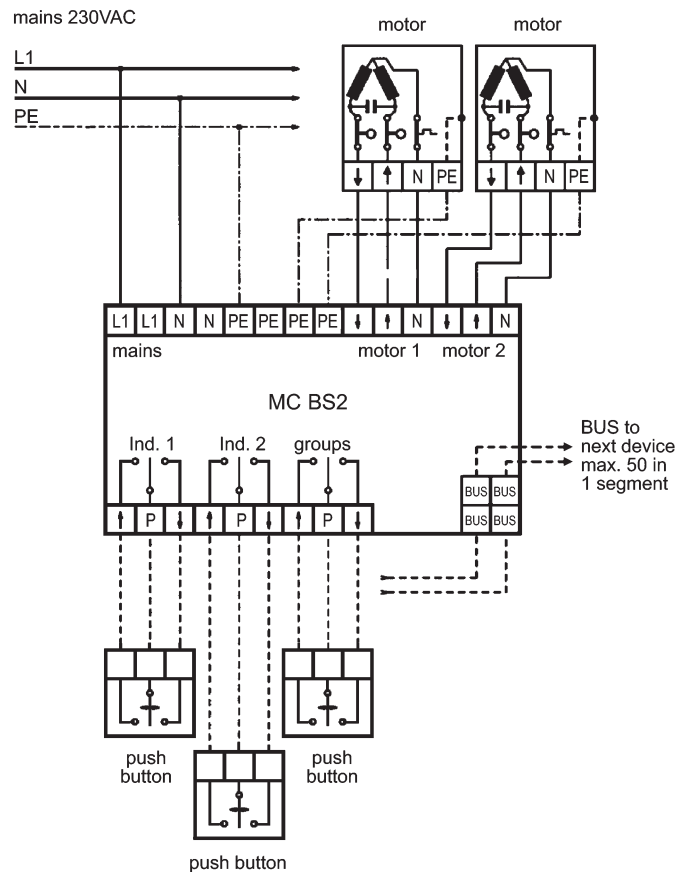
- Microprocessor-powered BUS motor controller for two sunshades
- Direct connection available for two 230VAC motors
- Connection available for one programmable group button and two individual buttons
- Separate connection points for mains supply and central transmission
- Secure connection via cage clamp connection up to 2.5 mm²
- Easy to configure with BS Config PC software
- Operating modes and motor run time can be individually set
- Compatible with all Vestamatic BUS central controls, e.g. Vesta Building Controller and Vesta Building Controller Compact

Safety precautions



- Contact a professional electrician to install the control system, because the control system requires a power supply of 230VAC, 50 Hz.
- Check the control system for signs of mechanical damage after unpacking. If you notice any shipping damage, do not start up the control system and notify your supplier immediately.
- The control system should only be used for the purpose specified by the manufacturer (refer to the operating instructions). Any changes or modifications thereof are not permissible and will result in loss of all warranty claims.
- If the control unit cannot be operated without presenting a hazard, it must be switched off and prevented from being switched on unintentionally.
- Turn off the power supply and prevent it from being switched on unintentionally before performing work on any windows, control or sunshades driven by the control system.

Wiring diagram



Technical data

Power supply:	230VAC, 50 Hz
Impulse voltage withstand level:	2.5 kV
Rated power:	3.6 W
Maximum load:	2 × 250VAC, 4 A, $\cos \varphi \cong 0.8$ ind.
Switching time:	1 – 255 seconds
Output (motor up/down):	230VAC, 50 Hz
Fuse electronic (F1):	0.05 A/T
Fuse motor 1 (F2):	4 A/T
Fuse motor 2 (F3):	4 A/T
Software class:	A
Operating temperature:	0 °C (32 °F) to +40 °C (104 °F)
IP class:	IP 54
Degree of contamination:	2
Dimensions (L × W × H):	170 × 135 × 85 mm
Mark of conformity:	CE

Assembly and installation



WARNING!

Risk of injury due to improper installation and commissioning.

Improper installation and commissioning may lead to personal injury or property damage.

Therefore:

- When connecting the device, observe the currently valid VDE standards (in particular DIN VDE 0100/0700), your local power company's regulations and the current accident prevention regulations.
- Connect the control in accordance with the wiring diagram.

Notes for professional electricians

1. Switch off the power supply.
2. Undo the housing cover screws and lift off the housing cover.
3. Use the four mounting holes at the edges of the housing to mount it.
4. Connect the power supply cables and external connections according to the wiring diagram. Do not lay cables above or below the PC board.
5. Switch on the power supply.
6. Check the motor's direction of rotation and correct it, if necessary.
7. Replace the housing cover and tighten the housing cover screws.

Start-up

If the system is used for the first time it has to be configured. That means the motor control has to be programmed to operate group and central commands. This could be done with the BS Config PC software.

Function

With the individual switches IND. 1 and IND. 2, up or down commands can be given for each motor. The commands can be configured for direct running, deadman/running or deadman only. The group switch has the same functionality. An active command can be stopped with an opposite command. Furthermore the control accepts several commands as: group commands, central commands, maintenance commands and alarm commands. The motors can be programmed to react on a group switch. If more group switches have the same address, the motors will react on all group buttons. The motors can only react on 1 central command and/or 1 maintenance command, which can be programmed with the BS Config Tool.

Configuration

For configuration of the control PC software BS Config (Art.-no.: 01054060) is required.

The disposal of electrical equipment and batteries in household waste is strictly forbidden.



The symbol (dustbin crossed out, in line with WEEE Appendix IV) indicates separate collection of electrical and electronic products in EU countries. Do not dispose of the device or battery in your household waste. Ask your town or local council about the return and collection systems available in your area to dispose of this product.