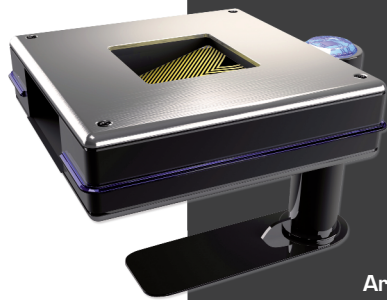


KNX Shade Centre



Art.-no.:
01078070

KNX Shade Centre

Art.-no.: 01078070

KNX Central Controller for 8 groups via KNX with sensors in the same unit.

Installation and Operating Instructions

Short description

- Free configurable, data output happens on EIB/KNX-BUS
- All sensor values can be sent to KNX
- Solar tracking
- Safety programmes (Wind, Frost, Rain)
- Comfort programmes (Sunshade, Time, Temperature)
- Each sector can be controlled individually
- Only operable with ETS Software
- All thresholds adjustable via KNX
- Integrated sensors for wind, rain/snow, temperature, light, global radiation
- Identification of the wind direction
- Non-expendable measuring via ultrasound
- Regulates heat and temperature for a comfortable environment – whether at home or at work
- Automation for global radiation
- Includes automatic twilight sensors
- 1 year power reserve of the time unit
- Easy to install with the ETS software
- Additional sensors can be imported via KNX
- All limit values tunable via KNX
- Very low standby power
- Time interval for service easily adaptable
- 3 security objects per sector
- 8 independent sectors/facade sections
- Fault indications for every sector
- Shading programmes with fuzzy logic

General

The weather central unit KNX Shade Centre feeds the KNX network with all updated meteorological data. The complexity will get your heart pumping: sensors, analysing electronic and bus coupler – everything integrated! Even the automation programmes!

Safety precautions



- Contact a professional electrician to install the control system.
- Check the control system for signs of mechanical damage after unpacking. If you notice any shipping damage, do not start up the control system and notify your supplier immediately.
- The control system should only be used for the purpose specified by the manufacturer (refer to the operating instructions). Any changes or modifications thereof are not permissible and will result in loss of all warranty claims.
- If the control unit or the connected sunshade cannot be operated without presenting a hazard, it must be switched off and prevented from being switched on unintentionally.
- When performing work on the windows, controls or connected shades, protect them against unauthorised or unintentional operation.

Technical data

Power supply:	19–28 VDC
Power:	2.5 W (without heating)
Operating temperature:	-30 °C (-22 °F) to +60 °C (140 °F)
Sensors:	
Temperature:	-40 °C (-40 °F) to +90 °C (194 °F)
Light intensity:	0 to 100 kLux
Global radiation:	0 to 1200 W/m ²
Wind speed:	0 to 35 m/s
Wind direction:	0 to 360°
Software class:	A
IP class:	IP X4
Degree of contamination:	2
Dimensions (W × D × H):	157 × 198 × 132 mm
Mark of conformity	CE

Installation



WARNING!

Risk of injury due to improper installation and commissioning. Improper installation and commissioning may lead to personal injury or property damage.

Therefore:

- When connecting the device, observe the currently valid VDE standards (in particular DIN VDE 0100/0700), your local power company's regulations and the current accident prevention regulations.
- Connect the control in accordance with the wiring diagram.

External control-section

Configuration

- Configuration can be effected by version ETS3 and later of the Konnex Association. See "Help" in the application to learn about more detailed possibilities of adjustment and function.
- By means of the programming key, the programming mode is switched on and off.
The programming LED shows the mode. If the LED cannot be switched on, there is no bus tension.
The physical address can only be programmed when the LED is switched on.

Start-up

- Check device, terminals and connections (visual control).
- Activate the power supply. Check tension and status LED on the device.
- Mount all covers, apply special labels, if necessary, update the technical documentation.
- Mind the adjustment and keep records accordingly.

Notes

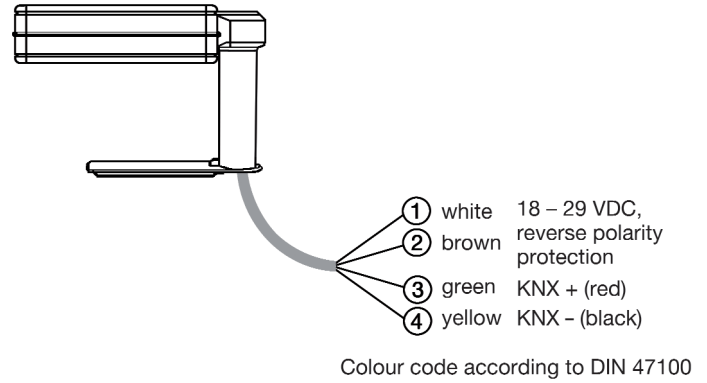
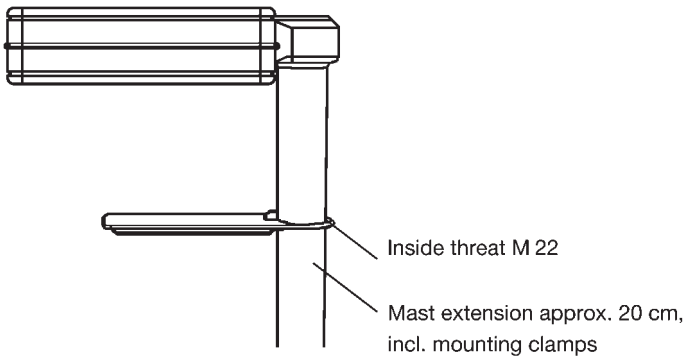
- Fast flashing (< 1 s): no bus tension.
- Flashing cyclical 1 s: device is ready for operation.

Accessories (to be ordered separately)

Art.-no.: 01078064, Power supply PS KNX Shade Centre

Art.-no.: 01078065, Mast extension KNX Shade Centre, approx. 35 cm

Wiring diagrams



Integrated sensors

Safety programmes

- Wind (ultrasound)
- Wind direction
- Light intensity (North , East, South, West, Sky)
- Global radiation (North , East, South, West, Sky)
- Temperature
- Rain/Snow

- 2 Wind
- 2 Rain/Snow
- 2 Frost
- 1 Automation for global radiation

All sensors are able to communicate via BUS.

Comfort programmes


Other functions

- 4 Shading programmes
- 1 Temperature program
- 1 Heat program
- 2 Twilight programmes
- 2 Time programmes
- 16 Start-up programmes

- Thresholds via EIB/KINX changeable
- Solar tracking
- Service interval notification
- Failure notifications of sensors
- Position setting in every program possible
- 8 sectors/facade sections

Disposal of waste

The disposal of electrical equipment and batteries in household waste is strictly forbidden.

 The symbol (dustbin crossed out, in line with WEEE Appendix IV) indicates separate collection of electrical and electronic products in EU countries. Do not dispose of the device or battery in your household waste. Ask your town or local council about the return and collection systems available in your area to dispose of this product.